

PROJECT: _____
 TYPE: _____
 PRODUCT: _____
 APPROVED BY: _____



SSS

PRODUCT FEATURES

- Intended for Hybrid Surgical Suites, Operating Rooms, Examination Rooms, and more
- Recessed or surface mount non-ferrous surgical troffer available 2x2 and 2x4 dimensions
- Available with asymmetric acrylic lens
- Certified IP65 per IEC60598. Meets ISO 3 (Fed Std. 209E/ Class 1) Cleanroom rating. NSF2 Splash/Non-Food Zone.
- This product is Made in America and complies with the Buy American Act (BAA) and the Build America, Buy America Act (BABAA)

ORDERING INFORMATION

Example: SSS24-MRI-HA/OA-L440-90C-1C-A-UN-DMI



SS			MRI	HA	/		
Series	Mounting S = Surface R = Recessed	Nominal Size 22 = 2x2 24 = 2x4 *Nominal size. Dimensional data on Page 2.	MRI = Remote Driver. Remote Power Supply, ordered separately. Requires proper filter components supplied by others. Consult factory for additional information.	Housing HA = 16Ga. Alum Painted	Frame INSET (I) or OVERLAP (O) OA = 16Ga. Alum. Painted IA = 16Ga. Alum. Painted	Lumen Output* L2 = Low L4 = Standard L6 = Medium L8 = High CL = Custom Lumen Output**	Color Temp. 35 = 3500K 40 = 4000K 50 = 5000K
CRI 80C = 80 CRI 90C = 90 CRI		Circuits 1C = 1 Circuit 2C = 2 Circuits* *Allows for Inboard/Outboard control. 2C not available with L2 Lumen Output options.		Lens A = .125 Prismatic Acrylic E = .125 White Frosted Poly. S = .125 Asymmetric Acrylic and .080 White Frosted Acrylic diffuser*		Voltage 12 = 120V 27 = 277V 34 = 347V UN = Universal (120-277V)	

POWER ENCLOSURE ORDERING INFORMATION

EXAMPLE: SSR24-PS-2-2C-DM

SS			PS			
Series	Mounting S = Surface R = Recessed	Size 22 = 2x2 24 = 2x4	PS =Power Enclosure* *Up to 8 drivers can be in a Power Enclosure depending on quantity of fixtures ordered. Consult factory for custom configurations. Configuration must be determined at time of order.	Drivers per Fixture* *Please refer to chart on page 5. Requires proper filtration components, by others. Each driver requires a filter.	Circuits 1C = 1 Circuit 2C = 2 Circuits* *Allows for Inboard/ Outboard control. 2C not available with L2 Lumen Output options.	Options DM = 0-10V dimming with 10-100% range DMI = 0-10V dimming with 1-100% range



New Star Lighting

2225 W Pershing Rd, Chicago, IL 60609
 (773) 847-1400
 www.newstarlighting.com

Specifications and dimensions are subject to change without notice. For additional options and dimensional details, please consult your New Star Lighting representative.

© 2026, New Star Lighting. All rights reserved. Unauthorized duplication or distribution is prohibited.

SPECIFICATIONS

HOUSING: 16-gauge aluminum housing standard.

FRAME: Inset or overlapping doorframe available in aluminum. Frame held to housing via aircraft cable.

LENS: See lens options below. Inset and Overlapping frame uses a rail hold down system.

LED: Available in three color temperatures 3500K, 4000K and 5000K with maximum 3-step MacAdam variation allowance. Other color temperatures available, consult factory. Minimum 50,000 hours with 70% lumen maintenance in a 25°C ambient temperature, compliant with IES LM-80 testing standards.

ELECTRICAL: 120-277VAC 50/60HZ electrical input high power factor electronic, constant current driver (<20% THD, >0.90 PF). 0-10V dimming with 1-100% or 10-100% range. Step dimming options available.

FASTENERS: Stainless steel Philips flat head screws with captive cage nuts. Finish to match doorframe.

FINISH: White antimicrobial polyester powder coat finish following multi-stage iron phosphate pretreatment.

GASKET: Closed cell EPDM and closed cell silicone gaskets prevent air contaminants from entering the fixture. Gasketing seals lens to doorframe and doorframe to housing.

POWER ENCLOSURE: LED driver included - must be remote mount. Must order Power Enclosure separately. Consult factory for more information. MRI room EMI filter required, supplied by others.

MOUNTING: Surface (S) or Recessed (R) installation. Recessed mounting accommodates Grid and Flange installations. Recessed fixtures will be supplied with adjustable swing arms that can be used for Flange applications or taped to the side for Grid applications. Recessed install compatible with 1-1/2" and 15/16" Grid systems. Mounting for custom ceilings available, consult factory.

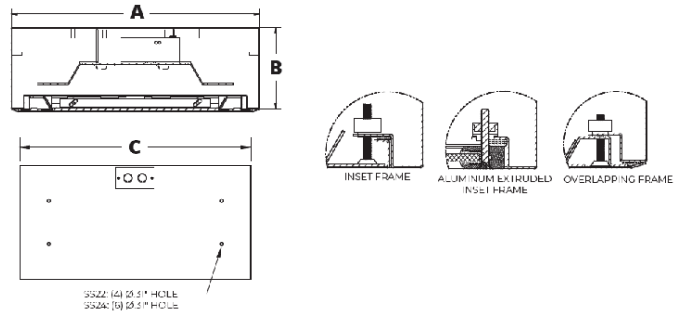
WARRANTY: 5 Year Warranty.

LABEL: Certified IP65 per IEC60598. Meets ISO 3 (Fed Std. 209E/ Class 1) cleanroom rating. NSF2 Splash/Non-Food Zone. This product was Made in America and complies with the Buy American Act (BAA) and the Build America, Buy America Act (BABAA).

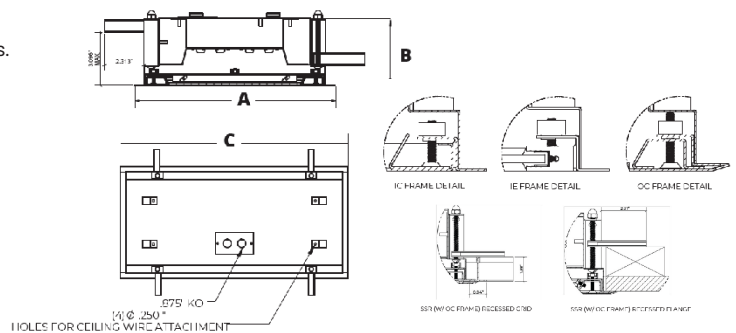
DIMENSIONAL DATA

Fixture weight varies and is dependent upon chosen specifications. Consult factory for additional information. Average weight of the SSS24 is 48lb.

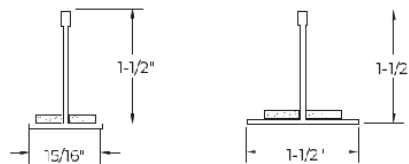
SURFACE MOUNTING (S)



RECESSED MOUNTING (R): GRID & FLANGE



GRID COMPATIBILITY:
 SSR22: Spaced at 24" x 24" Centers
 SSR24: Spaced at 24" x 48" Centers



	A	B	C
SSS22	24.00"	3.94"	24.07"
SSS24	24.00"	3.94"	48.07"
SSR22	23.69"	4.00"	23.69"
SSR24	23.69"	4.00"	47.69"



New Star Lighting

2225 W Pershing Rd, Chicago, IL 60609
 (773) 847-1400
 www.newstarlighting.com

Specifications and dimensions are subject to change without notice. For additional options and dimensional details, please consult your New Star Lighting representative.

© 2026, New Star Lighting. All rights reserved. Unauthorized duplication or distribution is prohibited.

PERFORMANCE DATA

*Data is with 80 CRI chip. LEDs are frequently updated therefore values may change without notice.

MODEL	OUTPUT	COLOR TEMP.	LUMENS DELIVERED	EFFICACY (lm/w)	INPUT POWER (W)
SS22	L2 = LOW	3500K	3000	120	25
		4000K	3125	125	25
		5000K	3250	130	25
	L4 = STANDARD	3500K	6000	120	50
		4000K	6250	125	50
		5000K	6500	130	50
	L6 = MEDIUM	3500K	8625	115	75
		4000K	9000	120	75
		5000K	9375	125	75
	L8 = HIGH	3500K	11500	115	100
		4000K	12000	120	100
		5000K	12500	125	100
SS24	L2 = LOW	3500K	6000	120	25
		4000K	6250	125	25
		5000K	6500	130	25
	L4 = STANDARD	3500K	12000	120	50
		4000K	12500	125	50
		5000K	13000	130	50
	L6 = MEDIUM	3500K	17250	115	75
		4000K	18000	120	75
		5000K	18750	125	75
	L8 = HIGH	3500K	23000	115	100
		4000K	24000	120	100
		5000K	25000	125	100



New Star Lighting

2225 W Pershing Rd, Chicago, IL 60609
 (773) 847-1400
www.newstarlighting.com

Specifications and dimensions are subject to change without notice. For additional options and dimensional details, please consult your New Star Lighting representative.

© 2026, New Star Lighting. All rights reserved. Unauthorized duplication or distribution is prohibited.

POWER ENCLOSURE: NUMBER OF DRIVERS PER FIXTURE

SERIES	SIZE	LUMEN OUTPUT	NUMBER OF DRIVERS PER FIXTURE
SS	22 = 2x2	L2 = LOW	1
		L4 = STANDARD	1
		L6 = MEDIUM	2
		L8 = HIGH	2
	24 = 2x4	L2 = LOW	1
		L4 = STANDARD	2
		L6 = MEDIUM	3
		L8 = HIGH	4



New Star Lighting

2225 W Pershing Rd, Chicago, IL 60609
 (773) 847-1400
www.newstarlighting.com

Specifications and dimensions are subject to change without notice. For additional options and dimensional details, please consult your New Star Lighting representative.

© 2026, New Star Lighting. All rights reserved. Unauthorized duplication or distribution is prohibited.

IMPORTANT SAFETY MEASURES

Power must be supplied by grounded New Star Remote Power Supply to ensure adequate EMI filtering. Remote Power Supply system must be ordered separately, and installed according to provided instructions.

- This must be installed in accordance with the applicable installation code by a person familiar with the construction and operation of the product and the hazards involved in a MRI environment
- Disconnect power to all circuits before wiring fixture
- Install in accordance with all national, state, and local codes
- Remote Power Supply MUST be grounded
- Failure to install unit on a mechanically sound surface may result in personal injury, physical damage, or potential fire hazard
- Use installation procedures appropriate to a MRI environment and sensitive electronic equipment
- Read all fixture marketing and labels to ensure correct installation of the luminaire
- Supplemental instructions may be located on the luminaire, in addition to the instruction sheet provided by New Star, regarding orientation or mounting restrictions



New Star Lighting

2225 W Pershing Rd, Chicago, IL 60609
(773) 847-1400
www.newstarlighting.com

Specifications and dimensions are subject to change without notice. For additional options and dimensional details, please consult your New Star Lighting representative.

© 2026, New Star Lighting. All rights reserved. Unauthorized duplication or distribution is prohibited.