

PROJECT: _____
 TYPE: _____
 PRODUCT: _____
 APPROVED BY: _____



PRODUCT FEATURES

- Vandal and tamper resistant design appropriate for a wide variety of complex environment applications
- Ceiling-mount version suitable for medium-risk behavioral health applications when installed in conjunction with pick-proof caulk
- Tamper-resistant Torx® center pin reject fasteners and sealed and gasketed .250 polycarbonate lens provides IK10 level impact resistance
- Red or green legend, optional single or double face
- Fixture is certified to UL standards for Wet Locations. IK10 listed per IEC60068. IP65 rated per IEC60598. UL924 Listed and meets or exceeds NFPA 101 Life Safety Code.
- This product was Made in America and complies with the Buy American Act (BAA), and the Build America, Buy America Act (BABAA)
- The DuraCare™ Exit Series is covered by our New Star Promise Warranty



ESC-DC-W Series



ESC-DC-C Series

ORDERING INFORMATION

Example: ESC-DC-C-HC14/IC14-SF-NA-LED-UN-RW



ESC	DC	/			
Series	DC = DuraCare™	Mounting C = Ceiling Mount W = Wall Mount	Housing HC14 = 14Ga. CRS Painted HS16 = 16Ga. SS Brushed HP16 = 16Ga. SS Painted	Inset Frame IC14 = 14Ga. CRS Painted IB16 = 16Ga. SS Brushed IS16 = 16Ga. SS Painted	Face SF = Single Face DF = Double Face* *Not available for the Wall mount version

	LED			
Directional Arrows NA = Exit No Arrow SNA = Stair No Arrow DA = Exit Double Arrow SDA = Stair Double Arrow RA = Exit Right Arrow* SRA = Stair Right Arrow* LA = Stair Left Arrow* SLA = Stair Left Arrow* LARA = Exit Left/Right Arrow** SLARA = Stair Left/Right Arrow**	Lamp Type LED = LED Module	Voltage 12 = 120V 27 = 277V UN = Universal (120V-277V)	Lettering RW = Red Letters GW = Green Letters	Options EM = Emergency Battery* SDT = Self-Diagnostics** *If stored, batteries should be fully recharged every six months and kept between 0°C-25°C to maintain optimal battery capacity. **Available only with EM units.

SPECIFICATIONS

HOUSING: Die-formed, seam welded, and ground smooth housing available in 14-gauge or 16-gauge cold rolled steel or stainless steel.

FRAME: Single face, inset one-piece die-formed doorframe in 14-gauge or 16-gauge cold rolled steel or stainless steel. Doorframe secured with Torx® fasteners.

LENS: .250 clear polycarbonate lens.

ELECTRICAL: ELECTRICAL: Dual 120/277 voltage, 50/60Hz standard. Energy-efficient, long life Red LEDs. Charge rate/power "ON" LED indicator light and push to test switch for mandated code compliance testing. 4.8V long life, maintenance-free rechargeable NiCd battery (EM models only). Internal solid-state transfer switch automatically connects the internal battery to LED board for minimum 90-minute emergency illumination. Fully automatic solid-state, two rate charger initiates battery charging to recharge a discharged battery in 24 hours. Optional Self Diagnostic version available.

LEGEND: Lettering 6" high with .750" stroke. Polycarbonate red or green filter panel.

FINISH: White antimicrobial polyester powder coat finish following multi-stage iron phosphate pretreatment. Fasteners are painted to match the housing.

FASTENERS: Tamper-resistant Torx® head fasteners with center pin reject.

INSTALLATION: Ceiling or wall mount installation.

WARRANTY: New Star Promise.

LABEL: Fixture is certified to UL standards for Wet Locations. IK10 listed per IEC60068. IP65 rated per IEC60598. UL924 Listed and meets or exceeds NFPA 101 Life Safety Code. This product is Made in America and complies with the Buy American Act, and the Build America, Buy America Act.



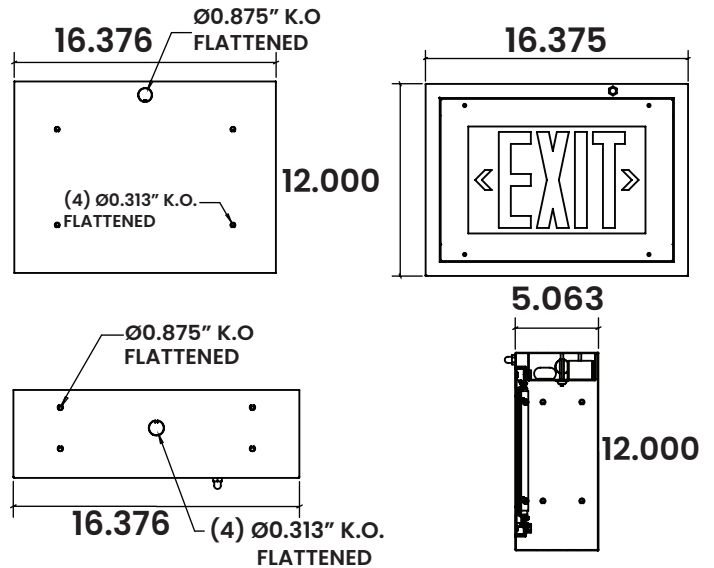
The DuraCare™ Exit Series is covered by our New Star Promise.

Our promise means we will repair or replace any of our High Abuse or Vandal-Resistant architectural luminaires when installed according to our instructions for the life of the original installation if the fixture should fail due to physical abuse*.

*Damage caused by gunfire and chemical reactions is not covered by the New Star Promise.

DIMENSIONAL DATA

CEILING MOUNT



WALL MOUNT

