

PROJECT: \_\_\_\_\_  
 TYPE: \_\_\_\_\_  
 PRODUCT: \_\_\_\_\_  
 APPROVED BY: \_\_\_\_\_



## PRODUCT FEATURES

- Vandal and tamper resistant design appropriate for a wide variety of complex environment applications
- Ceiling-mount version ligature-resistant and suitable for medium-risk behavioral health applications when installed in conjunction with pick-proof caulk
- Tamper-resistant Torx® center pin reject fasteners and sealed and gasketed .250 polycarbonate lens provides IK10 level impact resistance
- Red or green legend, optional single or double face
- Fixture is certified to UL standards for Wet Locations. IK10 listed per IEC60068. IP65 rated per IEC60598. UL924 Listed and meets or exceeds NFPA 101 Life Safety Code.
- This product was Made in America and complies with the Buy American Act (BAA), and the Build America, Buy America Act (BABAA)
- The DuraCare™ Exit Series is covered by our New Star Promise



ESC Series

## ORDERING INFORMATION

Example: ESC-DC-C-HC14/IC14-SF-LED-UN-RW



ESC	DC	/			
Series	DC =DuraCare™	<b>Mounting</b> C = Ceiling Mount W = Wall Mount*  *Not appropriate for behavioral health applications.	<b>Housing</b> HC14 = 14Ga. CRS Painted HS16 = 16Ga. SS Brushed HP16 = 16Ga. SS Painted	<b>Inset Frame</b> IC14 = 14Ga. CRS Painted IB16 = 16Ga. SS Brushed IS16 = 16Ga. SS Painted	<b>Face</b> SF = Single Face DF = Double Face

LED			
<b>Lamp Type</b> LED = LED Module	<b>Voltage</b> 12 = 120V 27 = 277V UN = Universal (120V-277V)	<b>Lettering</b> RW = Red Letters GW = Green Letters	<b>Options</b> EM = Emergency Battery*  *If stored, batteries should be fully recharged every six months and kept between 0°C-25°C to maintain optimal battery capacity.

## SPECIFICATIONS

**HOUSING:** Die-formed, seam welded, and ground smooth housing available in 14-gauge or 16-gauge cold rolled steel or stainless steel.

**FRAME:** Single face, inset one-piece die-formed doorframe in 14-gauge or 16-gauge cold rolled steel or stainless steel. Doorframe secured with Torx® fasteners.

**LENS:** .250 clear polycarbonate lens.

**ELECTRICAL:** Long life, high powered white LED system illuminates Red or Green legend. 7W. Optional single face or double face.

**LEGEND:** Lettering 6" high with .750" stroke. Polycarbonate red or green filter panel. Field selectable chevron inserts.

**FINISH:** White antimicrobial polyester powder coat finish following multi-stage iron phosphate pretreatment. Fasteners are painted to match the housing.

**FASTENERS:** Tamper-resistant Torx® head fasteners with center pin reject.

**INSTALLATION:** Ceiling or wall mount installation.

**WARRANTY:** New Star Promise.

**LABEL:** Fixture is certified to UL standards for Wet Locations. IK10 listed per IEC60068. IP65 rated per IEC60598. UL924 Listed and meets or exceeds NFPA 101 Life Safety Code. This product is Made in America and complies with the Buy American Act, and the Build America, Buy America Act.



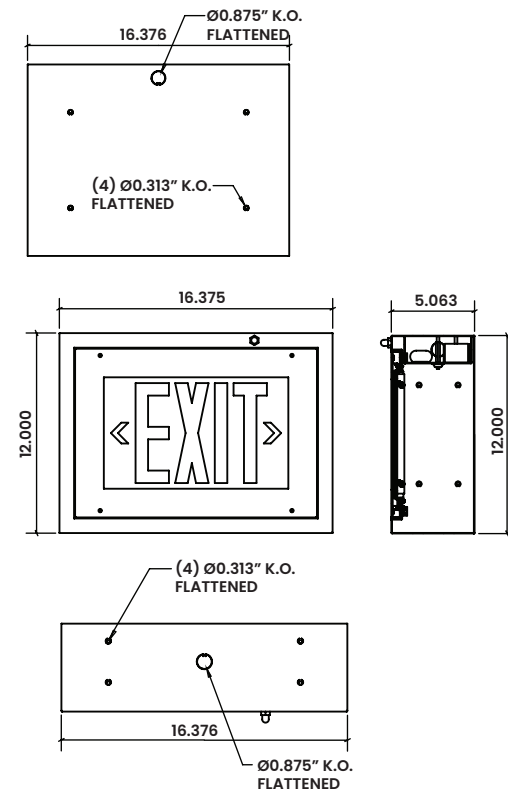
The DuraCare™ Exit Series is covered by our New Star Promise.

Our promise means we will repair or replace any of our High Abuse or Vandal-Resistant architectural luminaires when installed according to our instructions for the life of the original installation if the fixture should fail due to physical abuse\*.

\*Damage caused by gunfire and chemical reactions is not covered by the New Star Promise.

## DIMENSIONAL DATA

SINGLE FACE



DOUBLE FACE

