

PROJECT: _____
 TYPE: _____
 PRODUCT: _____
 APPROVED BY: _____

PRODUCT FEATURES

- Intended for Transportation Settings, Tunnel and Underpasses, Transportation Platforms, Stairways, Public Areas, and more
- Available in 4ft wide or narrow housing options with hinged housing for ease of maintenance
- Surface installation
- Stainless steel construction for maximum durability and resistance to corrosion
- IP66 Rating per IEC60598, and 5G vibration tested per ANSI C136.31, IK10 rated per IEC60068-2-75
- This product is Made in America and complies with the Buy American Act (BAA), and the Build America Buy America (BABAA)
- The StarTrans™ Series is covered by the New Star Promise



STN Series

ORDERING INFORMATION

Example: STN4N-ST40-90C-WP-BS-UN



STN					
Series	Size 2 = 2ft 4 = 4ft	Housing Style N = Narrow W = Wide	Lumen Output* ST = Standard HG = High** CL = Custom Lumen Output***	Color Temp. 35 = 3500K 40 = 4000K 50 = 5000K	CRI 80C = 80 CRI 90C = 90 CRI
*Subject to change. Performance Data on page 3. ** HG for STN4W (Wide) only. N/A STN4N *** Must be specified at time of quote. Must not exceed fixture maximum output.					

WP				
Lens WP = .125" Polycarbonate	Finish BS = Brushed SS SP = Painted SS	Voltage 12 = 120V 27 = 277V UN = Universal (120V-277V)	Options FZ1 = Fuse (120V) FZ2 = Fuse (277V) RZ = Raceway* *Consult factory for options	Mounting* blank = Standard Surface (6 mounting holes) RM = Row Mount** *Consult factory for custom options. ** Must specify number of fixtures being mounted end-to-end to end at time of order to ensure proper quantity of end cover plates are supplied.

SPECIFICATIONS

HOUSING: Precision die-formed and seam welded 16-gauge type 304 stainless steel construction.

HINGE: Full length continuous stainless steel piano hinge.

LENS: .125" UV-Stabilized polycarbonate lens with smooth exterior, prismatic linear interior.

LED: Available in three color temperatures 3500K, 4000K and 5000K with maximum 3-step MacAdam variation allowance. Other color temperatures available, consult factory. Minimum 80 CRI standard.

ELECTRICAL: 120-277VAC (and 347VAC if available), 50/60Hz constant current driver. Standard 0-10V dimming available with 1-100% range.

FASTENERS: Tamper-resistant Torx® head fasteners with center pin reject.

GASKET: Closed cell gasket with PSA on one side for housing and lens.

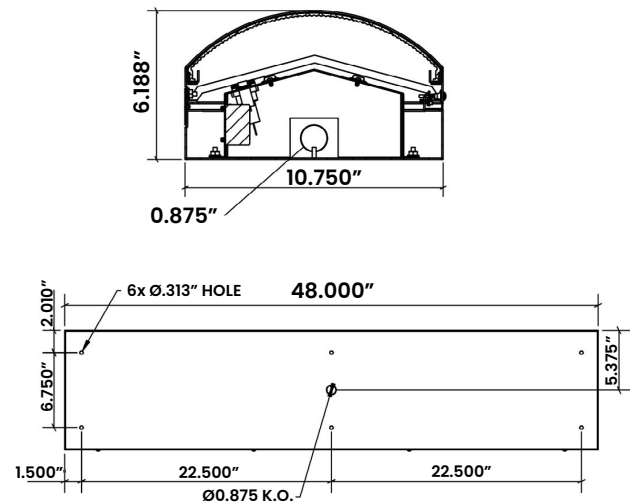
INSTALLATION: Surface installation. Hardware by others. Fixtures can be mounted end to end to create the look of a continuous row. Must specify number of units that will be row mounted at time of order for correct number of end cover plates. Stand alone fixtures will have cover plates at both ends.

WARRANTY: New Star Promise.

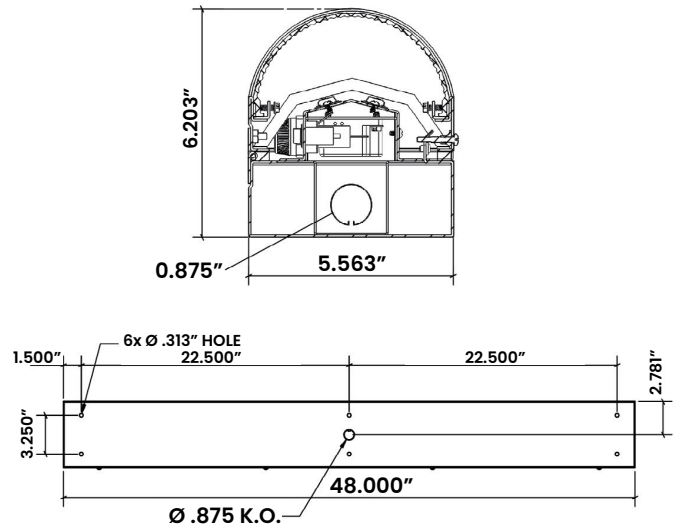
LABEL: Fixture is certified to UL standards by Intertek Testing Laboratories for Wet Location (under covered ceiling). IP66 Rating per IEC60598, and 5G vibration tested per ANSI C136.31. IK10 rated per IEC60068-2-75. Suitable for installation into -40°C to 25°C ambient temperatures. This product was Made in America and complies with the Buy American Act (BAA), and the Build America Buy America (BABAA).

DIMENSIONAL DATA

STN4W



STN4N



The StarTrans Series is covered by our New Star Promise.

Our promise means we will repair or replace any of our High Abuse or Vandal-Resistant architectural luminaires when installed according to our instructions for the life of the original installation if the fixture should fail due to physical abuse*.

*Damage caused by gunfire and chemical reactions is not covered by the New Star Promise.

PERFORMANCE DATA*

*LEDs are frequently updated therefore values may change without notice.

MODEL	OUTPUT	COLOR TEMP.	LUMENS DELIVERED	EFFICACY (lm/W)	INPUT POWER (W)
STN4N	ST = Standard	3500K	4620	92	50
		4000K	4810	96	50
		5000K	5010	100	50
STN4W	ST = Standard	3500K	5280	106	50
		4000K	5500	110	50
		5000K	5720	114	50
	HG = High	3500K	8800	88	100
		4000K	9170	92	100
		5000K	9725	97	100

