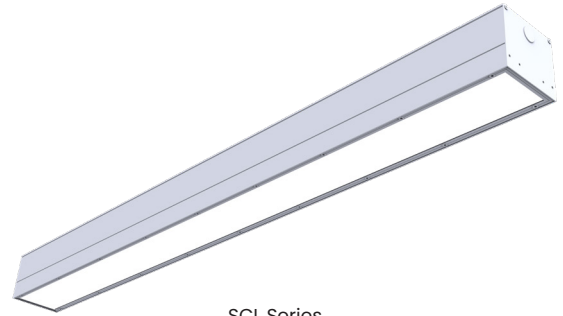


PROJECT: \_\_\_\_\_  
 TYPE: \_\_\_\_\_  
 PRODUCT: \_\_\_\_\_  
 APPROVED BY: \_\_\_\_\_

## PRODUCT FEATURES

- Intended for Cleanrooms, BSL Labs, Hi-Tech Manufacturing, Laboratory, Food Processing Facilities, Commercial Kitchens, and more
- Available in 2' - 8' lengths
- One piece die-formed aluminum doorframe supplied with tool-less fasteners and no visible room side hardware
- Extruded Aluminum housing and gasketed end caps for optional thru-wiring for end-to-end mounting
- Up to 1125 lumens per foot with custom tuning of outputs optional in provided in Symmetric and Asymmetric wall wash distributions
- Optional Grid, Flange or Trim-less mounting
- This product is Made in America and complies with the Buy American Act (BAA), and the Build America, Buy America Act (BABAA)



SCL Series

## ORDERING INFORMATION

Example: SCL48-TB9-500-35-90C-AM-D-ASY-UN-DM1



SCL						
Series	Nominal Length*	Ceiling Configuration	Lumen Output	Color Temp.	CRI	Finish
	24 = 2' 36 = 3' 48 = 4' 72 = 6' 96 = 8'	TB9 = 9/16" Lay-In Grid TB15 = 15/16" Lay-in Grid TG9 = 9/16" Tegular Grid TG15 = 15/16" Tegular Grid FL = Flange* NFL = No Flange ST = Screw Slot TM = Trimless Mud-In for 5/8" Drywall*	500 = 500LM/FT-Min 750 = 750LM/FT 1125 = 1125LM/FT-Max CL = Custom Lumens*	30 = 3000K 35 = 3500K 40 = 4000K AMB = Amber (585-595nm) RED = Red (630nm)  Tunable White* TW1 = 2700K to 5000K TW2 = 2700K to 6500K	80C = 80 CRI 90C = 90 CRI	AM = Antimicrobial White C = Custom Color*  *RAL number required.
	*Available in 1' increments. Consult factory for other lengths.	*Suitable for use with WM option, refer to page 2.	*Must be specified at time of quote. Must not exceed fixture maximum output.			
				*Must specify Tunable White Driver.		

Outer Lens	Inner Lens	Voltage	Driver Type	Options
A = .125 Clear Poly.	SYM = Symmetric ASY = Asymmetric Wall Wash	12 = 120V 27 = 270V 34 = 347V* UN = Universal (120V-277V)  *347V only available with DMI Drivers.	DM1 = 0-10V Dimming with 1-100% range DMT = 0-10V & TRIAC/ELV*  *Must specify with 120V.  Tunable White Driver* DAL18 = 2-Channel DALI Type 8 with 1-100% TWO = 2-Channel 0-10V  *Tunable White Driver requires choice of TW1 or TW2 in Color Temp column.	FZ1 = Fuse (120V) FZ2 = Fuse (277V) CP = Chicago Plenum Rated B(#) = 10 watt Battery Pack with test switch* GTD(1) = Generator transfer device* WM = Wall Mount** EF-M = Middle Feed Fixture*** EF-L = End Feed Left Fixture**** EF-R = End Feed Right Fixture*****  *Available for fixture lengths of 4' or greater. ***Suitable for use with WM option, refer to page 2. **Flange is removed from both ends of fixture, refer to drawing on Page 2. ***If ASY is specified, inner flange is removed with main beam directed right, refer to drawing on Page 2. ****If ASY is specified, inner flange is removed with main beam directed left, refer to drawing on Page 2.



**New Star Lighting**

2225 W Pershing Rd, Chicago, IL 60609  
 (773) 847-1400  
 www.newstarlighting.com

Specifications and dimensions are subject to change without notice. For additional options and dimensional details, please consult your New Star Lighting representative.

## SPECIFICATIONS

**HOUSING:** Extruded aluminum housing with gasketed end caps; optional thru wiring for end-to-end mounting.

**LENS:** Clear polycarbonate outer lens with inner optical diffusion lens, providing either asymmetric or symmetric distribution.

**DOORFRAME:** One-piece, die-formed aluminum tool-less access doorframe with no visible room-side fasteners finished with antimicrobial white powder-coat finish.

**LED:** Available in three color temperatures 3000K, 3500K, and 4000K with maximum 3-step MacAdam variation allowance. Tunable White also available, from 2700K – 5000K or 2700K-6500K. Minimum 50,000 hours with 85% lumen maintenance in a 25°C ambient temperature environment, compliant with IES LM-80 testing standards.

**ELECTRICAL:** Standard 120-277VAC 50/60Hz or 347VAC 60Hz electrical input with serviceable constant-current drivers (<10%THD, >0.90 PF). 0-10V Dimming with 1-100% range.

### TUNABLE DRIVER OPTIONS:

- DALI8** - DALI Type 8 (One DALI Address)
- TWO** - Two channel 0-10V dimming: one channel for brightness, one channel for CCT

**FINISH:** Antimicrobial white polyester powder finish following multi-stage iron phosphate pre-treatment on all exposed room-side surfaces. Custom finishes also available.

**INSTALLATION:** Recessed Grid, Screw Slot Grid, Drywall Flange, Drywall Flangeless and Mud-In Flange options.

**WARRANTY:** Five (5) year warranty.

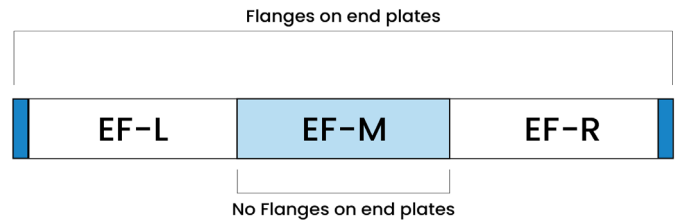
**LISTINGS:** Fixture is certified to UL standards by Intertek Testing Laboratory. Meets standards for ISO3/Class 1 Cleanrooms. IP65 Rating per IEC60598. Certified for NSF2 Splash Zone/Non-Food Zones. Suitable for Biosafety Labs rated BSL 1 to 2. Optional CCEA compliance. This product is Made in America and complies with the Buy American Act (BAA) and the Build America, Buy America Act (BABAA).

## DIMENSIONAL DATA

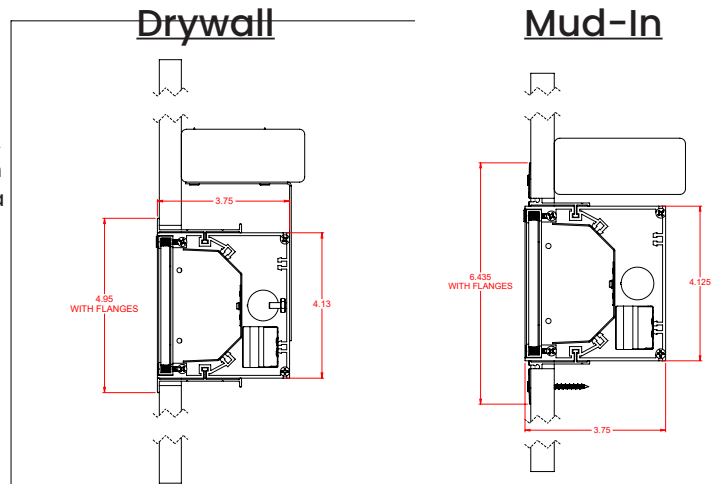
		Fixture Length				
		2'	3'	4'	6'	8'
		(24")	(36")	(48")	(72")	(96")
Mounting	ST	23.875	35.875	47.875	71.875	95.875
	TB9	23.87725	35.87725	47.87725	71.87725	95.87725
	TB15	23.87725	35.87725	47.87725	71.87725	95.87725
	TG9	23.875	35.875	47.875	71.875	95.875
	TG15	23.5	35.5	47.5	71.5	95.5
	NFL/TM	23.87725	35.87725	47.87725	71.87725	95.87725

\*Additional dimensional information on page 3.

## END FEED CONFIGURATION



## WALL MOUNT INSTALLATION



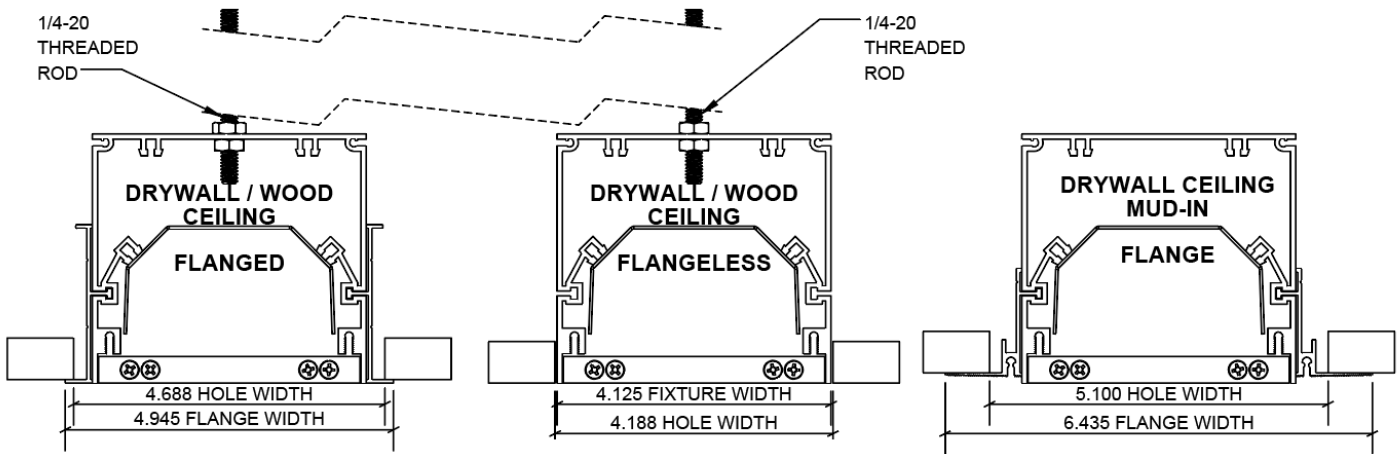
**New Star Lighting**

2225 W Pershing Rd, Chicago, IL 60609  
(773) 847-1400  
www.newstarlighting.com

Specifications and dimensions are subject to change without notice. For additional options and dimensional details, please consult your New Star Lighting representative.

© 2026, New Star Lighting. All rights reserved. Unauthorized duplication or distribution is prohibited.

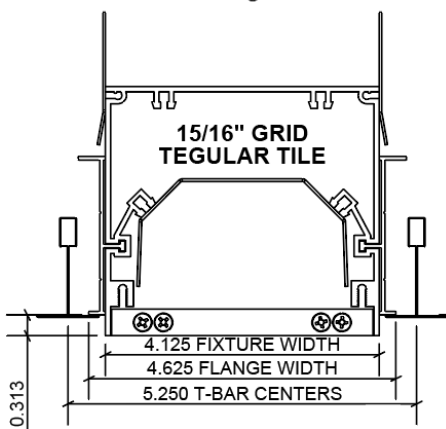
## DIMENSIONAL DATA (CONT.)



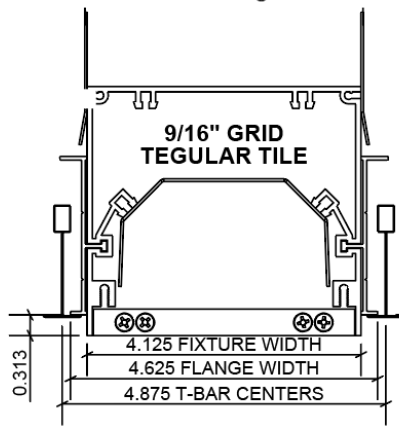
**FL**  
Flange

**NFL**  
No Flange

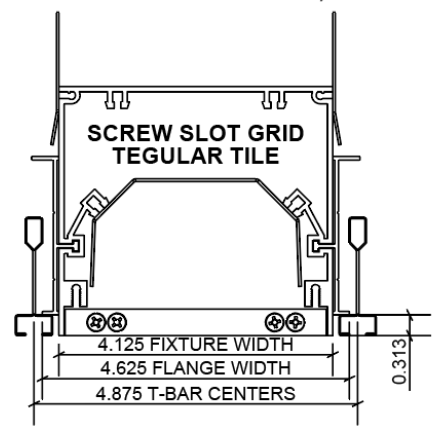
**TM**  
Trimless Mud-In for 5/8" Drywall



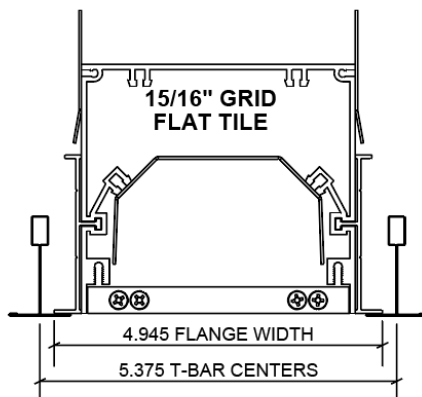
**IG15**  
15/16" Tegular Grid



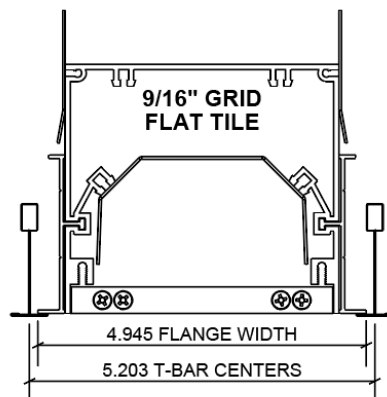
**IG9**  
9/16" Tegular Grid



**ST**  
Screw Slot



**TB15**  
15/16" Lay-In Grid



**TB9**  
9/16" Lay-In Grid



**New Star Lighting**

2225 W Pershing Rd, Chicago, IL 60609  
(773) 847-1400  
www.newstarlighting.com

Specifications and dimensions are subject to change without notice. For additional options and dimensional details, please consult your New Star Lighting representative.

© 2026, New Star Lighting. All rights reserved. Unauthorized duplication or distribution is prohibited.

## PERFORMANCE DATA\*

\*Data is based on testing at 4000K.

MODEL	DISTRIBUTION	LUMENS PER FOOT	EFFICACY (lm/W)	INPUT POWER (W)
SCL24	SYMMETRIC	500	90	11
		750	90	16
		1125	90	25
	ASYMMETRIC	500	88	11
		750	88	17
		1125	88	25
SCL36	SYMMETRIC	500	90	16
		750	90	24
		1125	90	37
	ASYMMETRIC	500	88	17
		750	88	26
		1125	88	38
SCL48	SYMMETRIC	500	90	22
		750	90	32
		1125	90	50
	ASYMMETRIC	500	88	22
		750	88	34
		1125	88	50
SCL72	SYMMETRIC	500	90	33
		750	90	49
		1125	90	75
	ASYMMETRIC	500	88	34
		750	88	50
		1125	88	75
SCL96	SYMMETRIC	500	90	44
		750	90	65
		1125	90	99
	ASYMMETRIC	500	88	45
		750	88	67
		1125	88	100

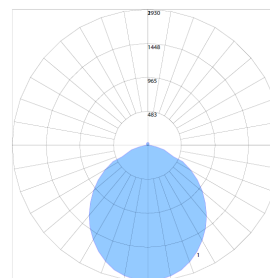
## MULTIPLIERS

CRI	MULTIPLIER
80 CRI	1
90 CRI	0.95

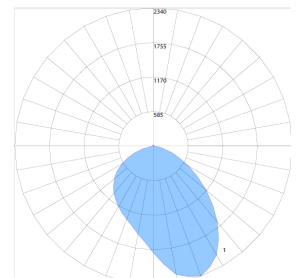
CCT	MULTIPLIER
3000K	0.95
3500K	0.98

## PHOTOMETRIC CURVES

SYMMETRIC:



ASYMMETRIC WALL WASH:



**New Star Lighting**

2225 W Pershing Rd, Chicago, IL 60609  
 (773) 847-1400  
[www.newstarlighting.com](http://www.newstarlighting.com)

Specifications and dimensions are subject to change without notice. For additional options and dimensional details, please consult your New Star Lighting representative.

© 2026, New Star Lighting. All rights reserved. Unauthorized duplication or distribution is prohibited.