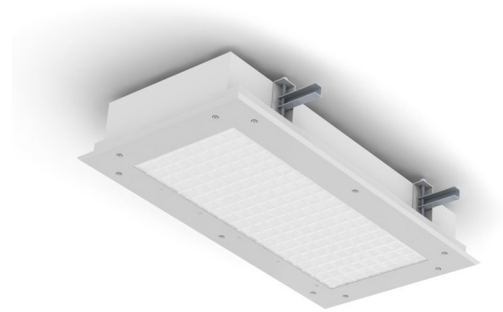


# NOVA RECESSED SERIES

PROJECT: \_\_\_\_\_  
 TYPE: \_\_\_\_\_  
 PRODUCT: \_\_\_\_\_  
 APPROVED BY: \_\_\_\_\_

## PRODUCT FEATURES

- Certified for use in Hazardous Locations Class I, Division 2, Groups A, B, C and D. Operating temperature code T5
- Available in 1x2, 1x4, 2x2, and 2x4 dimensions
- Recessed ceiling mount; grid or flange
- High-output to meet various lighting level requirements for different applications
- Certified IP65 per IEC60598. ISO Class 3 (Fed Std. 209E/Class 1), NSF2 Splash Zone/Non-Food Zone, IK10 rated in all lens options other than acrylic
- This product was Made in America and complies with the Buy American Act (BAA) requirements



NVA Series

## ORDERING INFORMATION

Example: NVA12-HC/OC-L440-90C-1C-A-UN



NVA		/			
<b>Series</b>	<b>Size*</b> 12 = 1 x 2 14 = 1 x 4 22 = 2 x 2 24 = 2 x 4  <small>*Nominal Size. Dimensional Data on Page 2.</small>	<b>Housing</b> HC = 20 Ga. CRS Painted HS = 20Ga. SS HP = 20Ga. SS Painted HA = 16Ga. Alum. Painted	<b>Doorframe</b> INSET (I) or OVERLAP (O) OC = 18Ga. CRS Painted OS = 18Ga. CRS Brushed OP = 18Ga. SS Painted OA = 16Ga. Alum Painted IC = 20Ga. CRS Painted IA = 16Ga. Alum Painted IB = 20Ga. SS Brushed IS = 20Ga. SS Painted	<b>Lumen Output*</b> NVA12-14: L2 = Low L3 = Standard L4 = High CL = Custom Lumen Output** NVA22-24: L2 = Low L4 = Standard L6 = Medium L8 = High CL = Custom Lumen Output**  <small>*Subject to change. Performance Data on Page 3. **Must be specified at time of quote. Must not exceed fixture maximum output.</small>	<b>Color Temp.</b> 35 = 3500K 40 = 4000K 50 = 5000K

<b>CRI</b> 80C = 80 CRI 90C = 90 CRI	<b>Circuits</b> 1C = 1 Circuit 2C = 2 Circuits*  <small>*Allows for Inboard/ Outboard control.</small>	<b>Lens</b> A = .125 Prismatic Acrylic B = .125 Prismatic Poly. C = .156 Prismatic Poly. D = .187 Prismatic Poly. E = .125 White Frost Poly. G = .140 Prismatic DR Acrylic*  <small>*DR Acrylic not rated for wet locations.</small>	<b>Voltage</b> 12 = 120V 27 = 277V UN = Universal (120V-277V)	<b>Options</b> FZ1 = Fuse (120V) FZ2 = Fuse (277V) TH = Torx® Head Screws (with center pin) TGG = Triple Gasketing (Grid) TGF = Triple Gasketing (Flange) IP66 = IP66 Rated (Overlapping frame only)
--	--	--	---	--

## SPECIFICATIONS

**HOUSING:** Formed housing with continuous seam welds. Housing available in cold rolled steel, aluminum, and stainless steel.

**DOORFRAME:** Inset or overlapping doorframe available in aluminum, cold rolled steel, and stainless steel.

**LENS:** Acrylic or polycarbonate lens options with smooth side out for easy cleaning.

**LED:** Available in three color temperatures 3500K, 4000K, and 5000K with maximum 3-step MacAdam variation allowance. Other color temperatures available, consult factory. Minimum 80 CRI standard with optional minimum 90 CRI available.

**ELECTRICAL:** 120-277VAC 50/60Hz, constant current driver (<15% THD @ 277VAC, >0.85 PF and <5% THD @ 120VAC, >0.98 PF). Standard 0-10V Dimming with 10-100% range.

**FINISH:** Antimicrobial white polyester powder coat finish following multi-stage iron phosphate pretreatment. Stainless steel brushed fixtures are brushed on all exposed room-side surfaces.

**GASKET:** Closed-cell EPDM and closed-cell silicone gasketing seals lens to doorframe and doorframe to housing. Optional triple gasketing, must specify Grid or Flange installation.

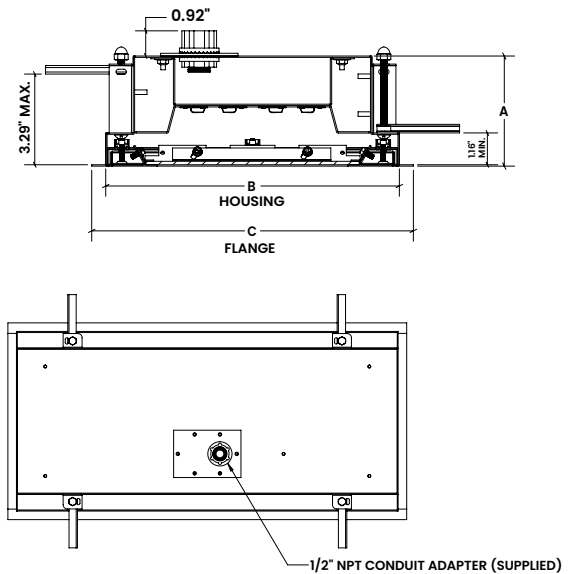
**INSTALLATION:** Universal recessed mounting accommodates Grid and Flange installations. Luminaires will be supplied with adjustable swing arms that can be used for Flange applications or secured to the side of housing for Grid applications. Compatible with 1-1/2" and 15/16" Grid systems. Mounting for custom ceilings available, consult factory. Power entry via 1/2" NPT conduit (conduit adapter supplied).

**WARRANTY:** 5 Year Warranty.

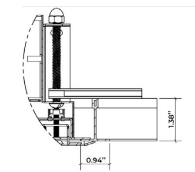
**FASTENERS:** Stainless steel Phillips flat head fasteners with captive cage nuts. Finish to match doorframe.

**LABEL:** UL certified for use Hazardous Locations: Class 1, Division 2, Groups A, B, C, and D. Operating temperature code T5. Suitable for Wet Locations. Certified IP65 per IEC60598. Meets standards for ISO3/ Class 1 Cleanrooms (Fed Std. 209E/Class 1). NSF2 Splash/Non-Food zone, IK10 rated in all lens options other than acrylic. This product is Made in America and complies with the Buy American Act (BAA).

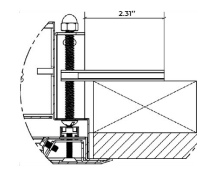
## DIMENSIONAL DATA



	A	B	C	REC. CEILING CUT-OUT
<b>NVA12</b>	4.00"	10.64" X 22.64"	11.69" X 23.69"	10.88" X 22.88"
<b>NVA14</b>	4.00"	10.64" X 46.64"	11.69" X 47.69"	10.88" X 46.88"
<b>NVA22</b>	4.00"	22.64" X 22.64"	23.69" X 23.69"	22.88" X 22.88"
<b>NVA24</b>	4.00"	22.64" X 46.64"	23.69" X 47.69"	22.88" X 46.88"



NVA (W/OC FRAME) GRID



NVA (W/OC FRAME) FLANGE

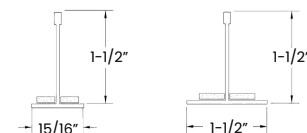
### GRID COMPATIBILITY:

NVA12: Spaced at 12" x 24" Centers

NVA14: Spaced at 12" x 48" Centers

NVA22: Spaced at 24" x 24" Centers

NVA24: Spaced at 24" x 48" Centers



**New Star Lighting**

2225 W Pershing Rd, Chicago, IL 60609  
(773) 847-1400  
www.newstarlighting.com

Specifications and dimensions are subject to change without notice. For additional options and dimensional details, please consult your New Star Lighting representative.

© 2026, New Star Lighting. All rights reserved. Unauthorized duplication or distribution is prohibited.

## PERFORMANCE DATA\*

\*Data is with 80 CRI chip. LEDs are frequently updated therefore values may change without notice.

MODEL	OUTPUT	COLOR TEMP.	LUMENS DELIVERED	EFFICACY (lm/W)	INPUT POWER (W)
NVA12	L2 = Low	3500K	2875	115	25
		4000K	3000	120	25
		5000K	3125	125	25
	L3 = Standard	3500K	4180	110	38
		4000K	4370	115	38
		5000K	4560	120	38
	L4 = High	3500K	5500	110	50
		4000K	5750	115	50
		5000K	6000	120	50
NVA14	L2 = Low	3500K	5750	115	50
		4000K	6000	120	50
		5000K	6250	125	50
	L3 = Standard	3500K	8250	110	75
		4000K	8625	115	75
		5000K	9000	120	75
	L4 = High	3500K	11000	110	100
		4000K	11500	115	100
		5000K	12000	120	100
NVA22	L2 = Low	3500K	3000	120	25
		4000K	3125	125	25
		5000K	3250	130	25
	L4 = Standard	3500K	6000	120	50
		4000K	6250	125	50
		5000K	6500	130	50
	L6 = Medium	3500K	8625	115	75
		4000K	9000	120	75
		5000K	9500	130	75
	L8 = High	3500K	11500	115	100
		4000K	12000	120	100
		5000K	12500	125	100



**New Star Lighting**

2225 W Pershing Rd, Chicago, IL 60609  
 (773) 847-1400  
[www.newstarlighting.com](http://www.newstarlighting.com)

Specifications and dimensions are subject to change without notice. For additional options and dimensional details, please consult your New Star Lighting representative.

© 2026, New Star Lighting. All rights reserved. Unauthorized duplication or distribution is prohibited.

# NOVA RECESSED SERIES



## PERFORMANCE DATA CONT\*

\*Data is with 80 CRI chip. LEDs are frequently updated therefore values may change without notice.

MODEL	OUTPUT	COLOR TEMP.	LUMENS DELIVERED	EFFICACY (lm/W)	INPUT POWER (W)
NVA24	L2 = Low	3500K	6000	120	50
		4000K	6250	125	50
		5000K	6500	130	50
	L4 = Standard	3500K	12000	120	100
		4000K	12500	125	100
		5000K	13000	130	100
	L6 = Medium	3500K	17250	115	150
		4000K	18000	120	150
		5000K	18750	125	150
	L8 = High	3500K	23000	115	200
		4000K	24000	120	200
		5000K	25000	125	200



**New Star Lighting**

2225 W Pershing Rd, Chicago, IL 60609  
 (773) 847-1400  
[www.newstarlighting.com](http://www.newstarlighting.com)

Specifications and dimensions are subject to change without notice. For additional options and dimensional details, please consult your New Star Lighting representative.

© 2026, New Star Lighting. All rights reserved. Unauthorized duplication or distribution is prohibited.