

PROJECT: _____
 TYPE: _____
 PRODUCT: _____
 APPROVED BY: _____

PRODUCT FEATURES

- Intended for Nurses' Stations, Corridors, Waiting Rooms, Lobbies, Patient Rooms, and more
- Enclosed aluminum or cold rolled steel housing with extruded aluminum heat sink
- Available in 6" aperture
- Suitable for Wet Location installations, thru-branch wiring, IP65 rating, meets ISO 4/Class 10 Cleanrooms, and NSF2 Splash/Non-Food Zone (when specifying PH fasteners)
- This product is Made in America and complies with the Buy American Act (BAA), and the Build America, Buy America Act (BABAA)



DLM SERIES

ORDERING INFORMATION

Example: DLM6-HA-L435-80C-A/A-A-3-UN-DMI



DLM 6					/		
Series	Aperture 6 = 6 inch	Housing HA = 16 Ga. Aluminum Painted D = 18 Ga. CRS Painted	Lumen Output* L4 = 25W L5 = 37W L6 = 45W L7 = 52W *Subject to change. Performance Data on page 3.	Color Temp. 35 = 3500K 40 = 4000K 50 = 5000K	CRI 80C = 80 CRI 90C = 90 CRI	Outer Lens A = .125 Clear Acrylic B = .125 Clear Poly. C = .187 Clear Poly. D = .250 Clear Poly. E = .375 Clear Poly. F = .125 Clear Temp. Glass G = .187 Clear Temp. Glass H = .250 Clear Temp. Glass O = None	Inner Lens A = .125 Prismatic Acrylic B = .125 Prismatic Poly. C = .156 Prismatic Poly. D = .125 White Frosted Poly.

		3			DMI		
Trim A = .080 Aluminum Painted B = 18Ga. CRS Painted C = 18Ga. 304 Brushed* D = 18Ga. SS Painted* *Additional fees may apply. Consult factory for details.	Reflector 3 = Low Gloss White	Voltage 12 = 120V 27 = 277V UN = Universal (120V-277V)	Driver DMI = 0-10V dimming with 1-100% range	Options FZ1 = Fuse (120V) FZ2 = Fuse (277V) TH = Torx® head fasteners* PH = Philips screws** EM = Emerg. Batt (remote)*** HB = Hanger Brackets *Not recommended for NSF applications. **Required for applications needing NSF. ***Remote. Field installation required. Consult factory for CA Title 24 options. If stored, batteries should be fully recharged every six months and kept between 0°C-25°C to maintain optimal battery capacity.			

SPECIFICATIONS

CONSTRUCTION: 16-Gauge aluminum or optional 18-Gauge cold rolled steel sealed housing with an extruded aluminum heat sink designed for maximum thermal dissipation.

LENS: Prismatic acrylic or white frosted UV-stabilized polycarbonate inner lens to diffuse LED module with an optional clear outer lens.

LED: Available in three color temperatures 3500K, 4000K and 5000K with maximum 3-step MacAdam variation allowance. Other color temperatures available, consult factory. Minimum 50,000 hours with 70% lumen maintenance in a 25°C ambient temperature environment, compliant with IES LM-80 testing standards.

ELECTRICAL: 120-277VAC 50/60HZ electrical input high power factor electronic, constant current driver (<20% THD, >0.90PF). 0-10V Dimming available with 1-100% range.

FASTENERS: Stainless steel Phillips screws with captive cage nuts (meets NSF). Finish to match trim. Optional tamper-resistant Torx head fasteners with center pin reject.

FINISH: White antimicrobial polyester powder coat finish following multi-stage iron phosphate pretreatment.

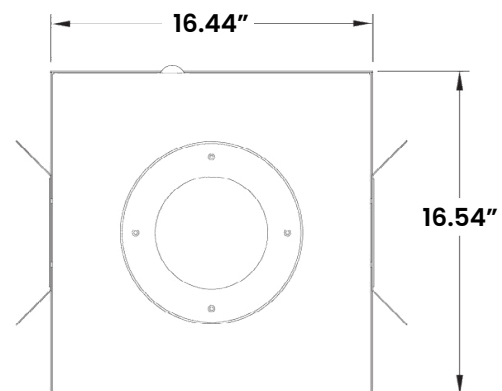
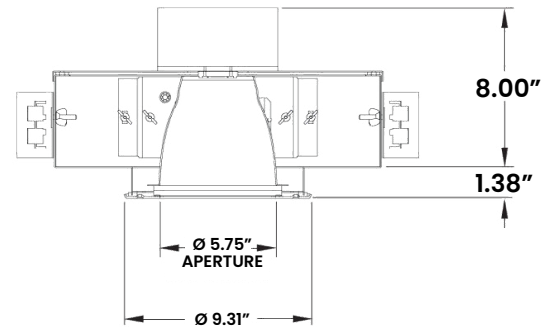
GASKET: Closed-cell EPDM silicone gaskets prevent water and dust infiltration.

INSTALLATION: Recessed installation.

WARRANTY: New Star Promise.

LABEL: Fixture is certified to UL standards by Intertek Testing Laboratory for non-IC and Wet Location installations (under covered ceiling). IP65 rating per IEC 60598. Meets ISO 4/Class 10 Cleanrooms. NSF2 Splash/Non-Food Zone (when specifying PH fasteners). This product was Made in America and complies with the Buy American Act requirements and the Build America, Buy America Act (BABAA).

DIMENSIONAL DATA



PERFORMANCE DATA

*LEDs are frequently updated therefore values may change without notice.

Model	Output	lum	lm/w	Wattage
DLM6 (90 CRI)	L4	1625	65	25
	L5	2220	60	37
	L6	2610	58	45
	L7	2860	55	52



New Star Lighting

2225 W Pershing Rd, Chicago, IL 60609

(773) 847-1400

www.newstarlighting.com

Specifications and dimensions are subject to change without notice. For additional options and dimensional details, please consult your New Star Lighting representative.

© 2026, New Star Lighting. All rights reserved. Unauthorized duplication or distribution is prohibited.