

PROJECT: \_\_\_\_\_  
 TYPE: \_\_\_\_\_  
 PRODUCT: \_\_\_\_\_  
 APPROVED BY: \_\_\_\_\_

## PRODUCT FEATURES

- Intended for MRI suites
- Non-ferrous construction and remote power supplies provide safe operating conditions for MRI machines, medical imaging equipment, and other magnetically sensitive apparatus
- Available in 6" aperture
- Sealed for infection control and cleanability. Certified IP65 per IEC60598, Meets ISO Class 4 (Fed Std. 209E/ Class 10), through branch wiring, and NSF2 Splash/Non-Food Zone ratings.
- This product is Made in America and complies with the Buy American Act (BAA) requirements



DLM6

## ORDERING INFORMATION

Example: DLM6-MRI-HA-L440-90C-A/D-A-3-UN



DLM	6	MRI	HA		
<b>Series</b>	<b>Aperture</b> 6 = 6 inch	<b>MRI = Remote Driver*</b>  *Remote Power Supply, ordered separately. Requires proper filter components supplied by others. Consult factory for additional information.	<b>Housing</b> HA = 16Ga. Aluminum Painted	<b>Wattage</b> L4 = 19W L5 = 34W  *Subject to change.	<b>Color Temp.</b> 30 = 3000K 35 = 3500K 40 = 4000K

	/			A	3
<b>CRI</b> 80C = 80 CRI 90C = 90 CRI	<b>Outer Lens</b> A = .125 Clear Acrylic B = .125 Clear Poly. C = .187 Clear Poly. D = .250 Clear Poly. 0 = None	<b>Inner Lens</b> A = .125 Prismatic Acrylic B = .125 Prismatic Poly. C = .156 Prismatic Poly. D = .125 White Frosted Poly.	<b>Trim</b> A = .080 Aluminum	<b>Reflector Finish</b> 3 = Antimic. Low Gloss White	

## SPECIFICATIONS

**HOUSING:** Non-ferrous 16-gauge painted aluminum cold rolled steel sealed housing with an extruded aluminum heat sink designed for maximum thermal dissipation.

**LENS:** Features a prismatic inner lens and clear outer lens in choice of acrylic, polycarbonate, or glass options

**LED:** Available in two color temperatures 3500K and 4000K with maximum 3-step MacAdam variation allowance. Other color temperatures available in standard offering, consult factory. Minimum 50,000 hours with 70% lumen maintenance in a 25°C ambient temperature environment, compliant with IES LM-80 testing standards.

**ELECTRICAL:** Input 24VDC from remote 120-277VAC or 347VAC, high-power factor power supply with EMI Filter (supplied by others). Dimming controlled through 0-10V dimmer (supplied by others), Dimming range down to 1% light output.

**REMOTE POWER SUPPLY:** LED driver included - must be remote mount. Must order Power Supply separately on page 3. Consult factory for more information. MRI room EMI filter required, supplied by others.

**FASTENERS:** Stainless steel Philips flat head fasteners with captive cage nuts. Finish to match trim.

**FINISH:** White antimicrobial polyester powder coat finish following multi-stage iron phosphate pre-treatment on all exposed room-side painting surfaces, unless otherwise specified.

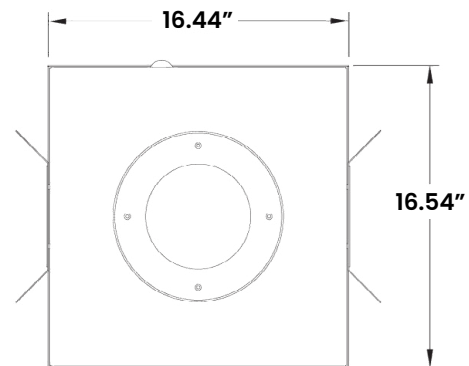
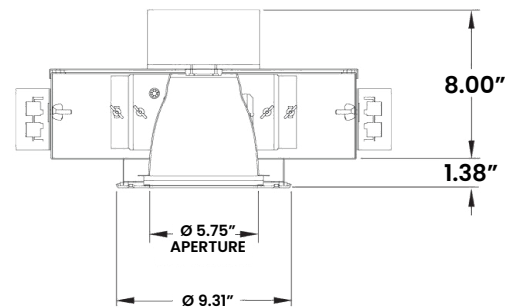
**GASKET:** Closed cell EPDM and closed cell silicone gaskets prevent air contaminations from entering the fixture.

**INSTALLATION:** Recessed installation.

**WARRANTY:** Five (5) Year Warranty.

**LABEL:** Fixture is certified to UL standards by Intertek Testing Laboratory for Non-IC and Wet Location installations (under covered ceiling). Suitable for through branch wiring. Certified IP65 per IEC 60598 and NSF2 Splash Zone/Non-Food Zone listed (with PH fasteners). Meets ISO4 (FED-STD-209E/Class 10) Cleanrooms.

## DIMENSIONAL DATA



## PERFORMANCE DATA

\*LEDs are frequently updated therefore values may change without notice.

MODEL	OUTPUT	COLOR TEMP.	LUMENS DELIVERED	EFFICACY (lm/w)	INPUT POWER (W)
DLM6 .125 Prismatic Inner Lens	L4	3000K	1292	68	19
		3500K	1349	71	19
		4000K	1368	72	19
	L5	3000K	2244	66	34
		3500K	2346	69	34
		4000K	2380	70	34
DLM6 .125 White Frosted Poly. Inner Lens	L4	3000K	1140	60	19
		3500K	1121	59	19
		4000K	1140	60	19
	L5	3000K	1802	53	34
		3500K	1904	56	34
		4000K	1938	57	34



**New Star Lighting**

2225 W Pershing Rd, Chicago, IL 60609  
(773) 847-1400

[www.newstarlighting.com](http://www.newstarlighting.com)

Specifications and dimensions are subject to change without notice. For additional options and dimensional details, please consult your New Star Lighting representative.

© 2026, New Star Lighting. All rights reserved. Unauthorized duplication or distribution is prohibited.

## POWER SUPPLY SPECIFICATION FEATURES

**HOUSING:** Galvanized steel housing. The power supply must be installed outside the shielded MRI environment. It contains ferrous components that can damage or interfere with MRI equipment.

**ELECTRONICS:** Input: 120/277V 50/60 HZ. Output: Max (3) 36VDC Constant Current Drivers.

**EMI FILTER:** MRI Room EMI filter required (supplied by others). Note, each driver requires individual filter.

**INSTALLATION:** Wiring/Conduit: All power and dimming wiring must be completely shielded in grounded conduit. Minimum 18 AWG low voltage supply wire.

## ORDERING INFORMATION

Inside each Power Supply Box are drivers (3 drivers max per box). Each driver can accommodate a certain number of fixtures based on the fixture wattage. When ordering, specifier must determine the quantity of fixtures per driver. Custom configurations available for power enclosure when using multiple fixtures per driver. Consult factory for configurations. Configurations must be determined at time of order.

Note, each driver requires a MRI Filter (supplied by others).

MRI downlights comes in a 9W, 19W and 34W.

- **M1 = (9W): up to 8 fixtures max per driver**
- **M2 = (19W): up to 4 fixtures max per driver**
- **M3 = (34W): up to 2 fixtures max per driver**

The number of fixtures must be divided over the 3 drivers. See examples on Page 4. Consult factory with questions.

**EXAMPLE: DLM6-PS-HC-M2-421-DM**

DLM	6	PS	HC					
<b>Series</b>	<b>Aperture</b> 6 = 6 inch	<b>PS = Power Supply</b>	<b>Housing</b> HC = Galvanized Steel	<b>Wattage</b> M1 = 9W M2 = 19W M3 = 34W	<b>Driver 1 Driver 2 Driver 3</b> <b>Number of Fixtures Per Driver*</b>			<b>Options</b> DM = 0-10V dimming with 10-100% range DM1 = 0-10V dimming with 1-100% range FZ = Fuse

\*Divide the total number of fixtures per driver

- M1 = (9W): up to 8 fixtures max per driver
- M2 = (19W): up to 4 fixtures max per driver
- M3 = (34W): up to 2 fixtures max per driver

Example: 6 fixtures with 19W

Recommended configuration (Uses least amount of drivers = least amount of filters to purchase):

Driver 1 = 4 fixtures, Driver 2 = 2 fixtures, Driver 3 = 0 fixtures

Not recommended:

Driver 1 = 2 fixtures, Driver 2 = 2 fixtures, Driver 3 = 2 fixtures

See additional examples on Page 4.



**New Star Lighting**  
2225 W Pershing Rd, Chicago, IL 60609  
(773) 847-1400  
www.newstarlighting.com

Specifications and dimensions are subject to change without notice. For additional options and dimensional details, please consult your New Star Lighting representative.

© 2026, New Star Lighting. All rights reserved. Unauthorized duplication or distribution is prohibited.

## DLM REMOTE POWER SUPPLY

DLM-MRI must have a remote Power Supply Box mounted outside the MRI Room. Inside each Power Supply Box are drivers (3 drivers max per box). Each driver can accommodate a certain number of fixtures based on the fixture wattage. When ordering, specifier must determine the quantity of fixtures per driver.

Note, each driver requires a MRI Filter (supplied by others).

MRI downlights comes in a 9W, 19W and 34W.

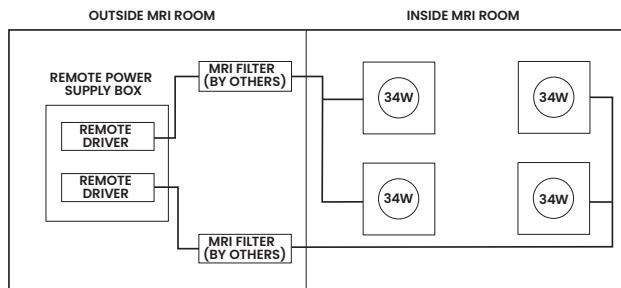
- M1 = (9W): up to 8 fixtures max per driver
- M2 = (19W): up to 4 fixtures max per driver
- M3 = (34W): up to 2 fixtures max per driver

The number of fixtures must be divided over the 3 drivers. See below configurations and examples.

### EXAMPLE 1: DLM6-PS-HC-L5-220-DM

MRI Room has four downlights that are M3 (34W) specified. Order (1) Power Supply Box and determine number of fixtures per driver.

- Each driver can have up to 2 fixtures.
- Driver 1 = 2 fixtures
- Driver 2 = 2 fixtures
- Driver 3 = 0 fixtures
- MRI Filters (by others) = 2

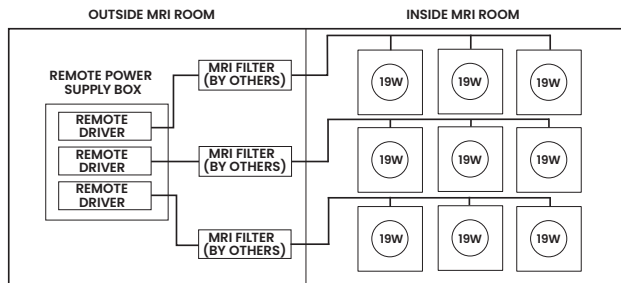


\* Diagram is for example purposes only. Other configurations possible. Consult factory for lighting wiring diagrams.

### EXAMPLE 2: DLM6-PS-HC-L4-333-DM1

MRI Room has nine downlights that are M2 (19W) specified. Order (1) Power Supply Box and determine number of fixtures per driver.

- Each driver can have up to 4 fixtures.
- Driver 1 = 3 fixtures
- Driver 2 = 3 fixtures
- Driver 3 = 3 fixtures
- MRI Filters (by others) = 3



\* Diagram is for example purposes only. Other configurations possible. Consult factory for lighting wiring diagrams.