



PROJECT: _____
 TYPE: _____
 PRODUCT: _____
 APPROVED BY: _____

PRODUCT FEATURES

- Designed for behavioral health, correctional, and high-abuse environments, with ligature-resistant performance when used with tamper-resistant caulk and a high-abuse bracket
- Stainless Steel or heavy wall die-cast aluminum housing with .250" polycarbonate lens
- Antimicrobial polyester powder coat finish (No VOC) on all exposed surfaces
- Tamper-resistant Torx® fasteners standard
- 90 CRI White CCT in 2700K, 3000K, 3500K, 4000K, & 5000K or Amber (585nm-590nm)
- Suitable for Wet Location, IK10 Listed per IEC 60068-2-75 and IP65 Listed per IEC60598
- This product is Made in America and complies with the Buy American Act (BAA)



DCTT

ORDERING INFORMATION

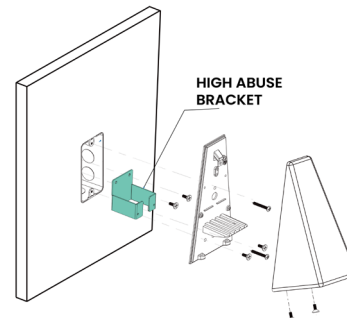
Example: DCTT-40-N-SS-BS-UN-DM



DCT	T					
Series	Style T = Trapezoidal	Color Temp 27 = 2700K 30 = 3000K 35 = 3500K 40 = 4000K 50 = 5000K AMB = Amber (585nm-590nm)	Distribution N = Narrow (27°) W = Wide (100°)	Housing SS = 16Ga. Stainless Steel A = Die-cast Aluminum	Finish* blank = Standard White BS = Brushed Stainless Steel** ALM = Almond (RAL 9001) BLK = Black BL = Blue (RAL 5009) LB = Light Blue (RAL 6034) LG = Light Gray (RAL 7035) LIC = Lilac (RAL 4009) PG = Pistachio Green CC = Custom RAL Color***	Voltage 12 = 120V UN = Universal (120V-277V)
					*Color swatches on Page 3. **Available only with Stainless Steel housing (SS). ***Specify RAL number at time of order. Subject to set-up fees.	

Driver DM = 0-10V dimming with 10-100% range (std.) TDM = Touch Dimming 100%, 50% and off* *120V only.	Options HABKT = High Abuse Bracket with Torx® Fasteners
--	---

HABKT INSTALLATION



New Star Lighting

2225 W Pershing Rd, Chicago, IL 60609
 (773) 847-1400
 www.newstarlighting.com

Specifications and dimensions are subject to change without notice. For additional options and dimensional details, please consult your New Star Lighting representative.

SPECIFICATIONS

CONSTRUCTION: 16-Gauge stainless steel or marine-grade die-cast aluminum construction.

LENS: .250" polycarbonate lens.

LED: 90 CRI white LED in 2700K, 3000K, 3500K, 4000K, and 5000K with maximum 3-step MacAdam variation allowance. Amber LED also available (585nm-590nm).

DRIVER: 120-277V, 50/60HZ. Integral 0-10V dimming with 10-100% range. Optional 120V, 50/60HZ 12 watt TRIAC driver, provides Touch Dimming from 100% to 50% to OFF.

FASTENERS: Tamper-resistant Torx® head fasteners.

FINISH: Antimicrobial powder coat finish following multistage iron phosphate pretreatment on all exposed room-side painting surfaces. Custom Colors available, consult factory.

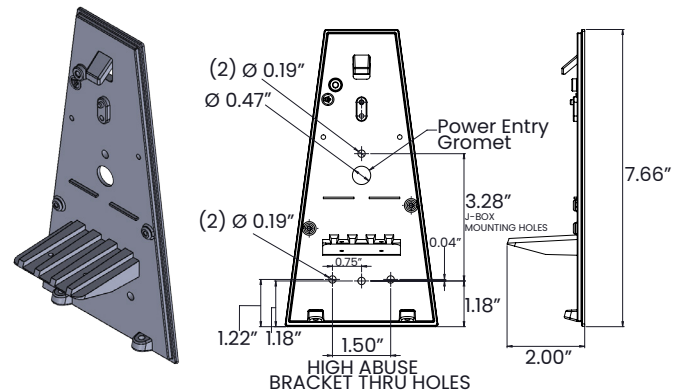
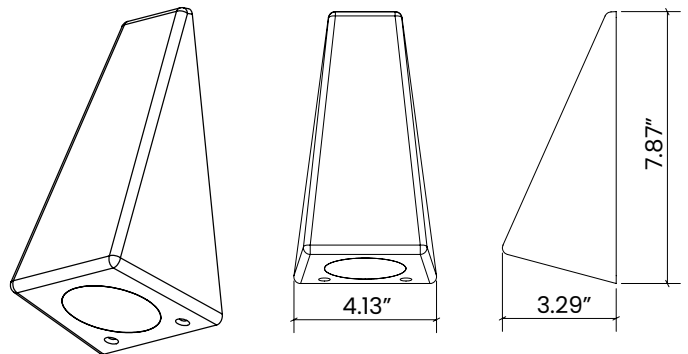
GASKET: Molded one-piece silicone gasket.

INSTALLATION: Mounts to J-Box (supplied by others) with Torx® fasteners. Optional High Abuse Mounting Bracket (HABKT) recommended for use in conjunction with tamper-resistant sealant.

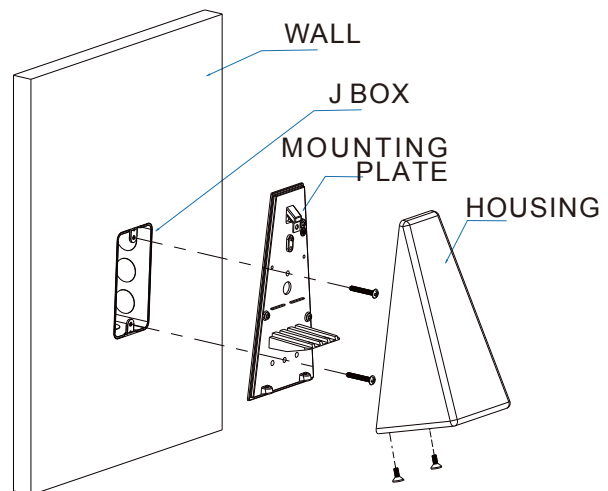
WARRANTY: Five (5) year warranty.

LABEL: Fixture is certified to UL standards by Intertek Testing Laboratory for Wet Location installations and IP65 Listed per IEC60598. K10 Listed per IEC60068-2-75.

DIMENSIONAL DATA



INSTALLATION



New Star Lighting

2225 W Pershing Rd, Chicago, IL 60609
(773) 847-1400
www.newstarlighting.com

Specifications and dimensions are subject to change without notice. For additional options and dimensional details, please consult your New Star Lighting representative.

© 2026, New Star Lighting. All rights reserved. Unauthorized duplication or distribution is prohibited.

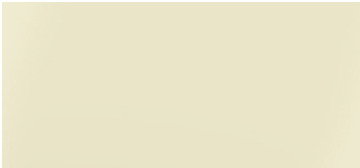



PERFORMANCE DATA

*LEDs are frequently updated therefore values may change without notice.

MODEL	CRI	BEAM	COLOR TEMP	LUMENS	EFFICACY	INPUT POWER (W)
DCTT	90	Narrow	3000K	693	69	10
			4000K	832	83	10
		Wide	3000K	471	47	10
			4000K	563	56	10

CCT	2700K	3500K
MULTIPLIER	1.00	1.15

FINISHES

Almond (RAL 9001) (ALM)	Light Gray (RAL 7035) (LG)	Blue (RAL 5005) (BL)	White
			
Light Blue (RAL 5024) (LB)	Lilac (RAL 4009) (LIC)	Pistachio Green (PG)	Black (BLK)
