



PROJECT: _____
 TYPE: _____
 PRODUCT: _____
 APPROVED BY: _____

PRODUCT FEATURES

- Ligature-resistant for Behavioral Health applications when used in conjunction with tamper-resistant sealant
- Supports IES RP-29 Healthcare guidelines for uniformity, low glare ideal for patient rooms, bathrooms and common areas.
- Field-adjustable LED CCT: Amber (585nm-595nm), White (2700K-5000K), Blue (469nm-480nm), or Red (620nm-630nm)
- 90-degree cut-off obstructs light trespass
- Built for durability; diecast faceplate with polycarbonate lens
- Selectable Sensor with settings for Photo/Motion/Off (can be turned on or off during installation)
- 0-10V Dim adjusted light level
- Installs to a standard J-Box (by others)
- This product complies with the Buy American Act (BAA) when specifying "HG" under lumen output
- IK10 listed per IEC60068, IP64 rated per IEC60598, NSF2 Splash/Non-Food Zone listed



DCSLR-V1



DCSLR-H1



* Must specify "HG" for compliance.

ORDERING INFORMATION

Example: DCSLR-V1-SD-CCT-BLK-UN-TWB

DCSLR			
Series	Faceplate Style V1 = Vertical H1 = Horizontal	Lumen Output SD = Standard Output (17 Lumens) HG = High Output (34 Lumens)* *Must specify for BAA Compliance.	Color Temperature* CCT = White LED (2700K-5000K) CCT2 = Amber/Red/Blue *Housing comes in either white CCT field selectable options or color (amber, red or blue) field selectable options
Finish* blank = Standard White ALM = Almond (RAL 9001) BLK = Black BL = Blue (RAL 5009) LB = Light Blue (RAL 6034) LG = Light Gray (RAL 7035) LIC = Lilac (RAL 4009) PG = Pistachio Green CC = Custom RAL Color *Antimicrobial finishes are is standard. Color swatches on Page 3.	UN	Voltage UN = Universal (120V-277V)	Accessories TWB = Adjustable thru-wall box with hangars (requires two steplights per thru-wall junction box)



New Star Lighting

2225 W Pershing Rd, Chicago, IL 60609
 (773) 847-1400
 www.newstarlighting.com

Specifications and dimensions are subject to change without notice. For additional options and dimensional details, please consult your New Star Lighting representative.

© 2026, New Star Lighting. All rights reserved. Unauthorized duplication or distribution is prohibited.

SPECIFICATIONS

CONSTRUCTION: ADA-compliant. Ligature-resistant, diecast aluminum faceplate and reflector.

LENS: UV-Stablized, injection-molded polycarbonate.

LED: Available in field-selectable White LEDs (2700K-5000K) at 80 CRI, or field-selectable colors: Amber (585-595nm), Red (620-630nm), Blue (469-480nm). Minimum 30,000h with 70% of lumen maintenance in 25°C ambient temperature environment, in compliance with IES LM-70 testing measurements.

ELECTRICAL: 120-277VAC, 50-60HZ, input wattage ~1W, power factor >0.9. Lumens: 15lm. 0-10V Dimming.

PHOTO CONTROL OPTION: Control circuit can be pre-set with four sensing modes: ON, Photo sensing (PS), PIR sensing, PIR + PS sensing. Delay time for PIR and PIR+PS modes is 1 minute (if no movement, then auto shut off after 1 minute). Environment light sensing: <80 lux LED ON & >300 lux LED OFF.

FINISH: Matte white antimicrobial powdercoat finish following multi-stage iron phosphate pre-treatment. Black, Ivory and custom finishes optional.

INSTALLATION: Backplate Installs to a single-gang j-box (by others). Through-wall accessory housing also available for shared walls.

LABEL: K10 listed per IEC60068*, IP64 rated per IEC60598, NSF2 Splash/Non-Food Zone listed. This product complies with the Buy American Act (BAA) when specifying "HG" under lumen output.

*IK10 listing requires security caulk to be applied upon installation.

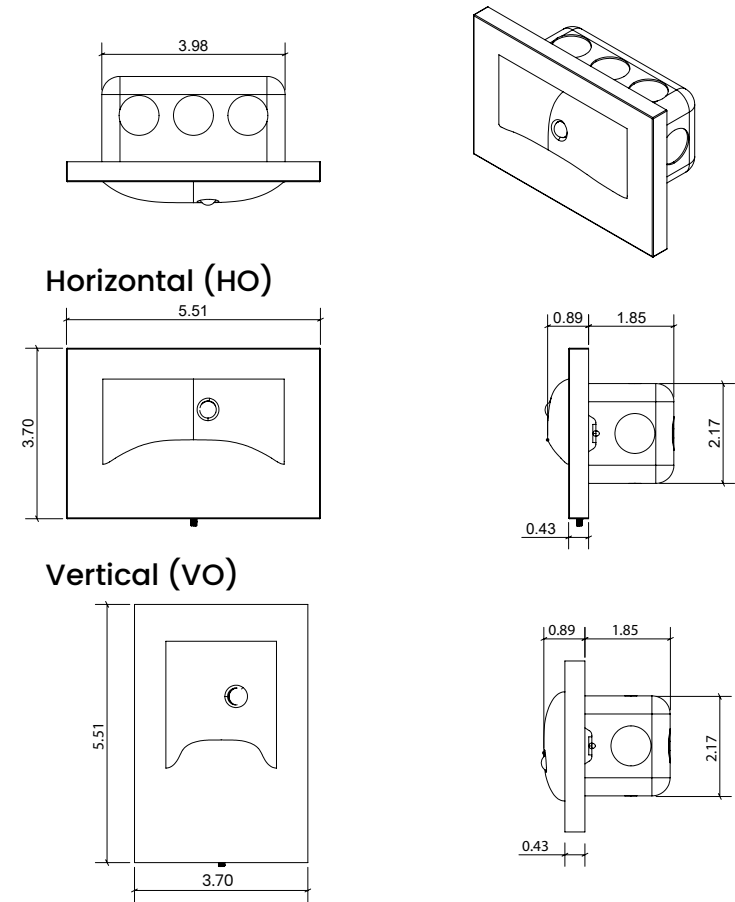


The DuraCare™ Rectangle Steplight Series is covered by our New Star Promise.

Our promise means we will repair or replace any of our High Abuse or Vandal Resistant architectural luminaires when installed according to our instructions for the life of the original installation if the fixture should fail due to physical abuse.*

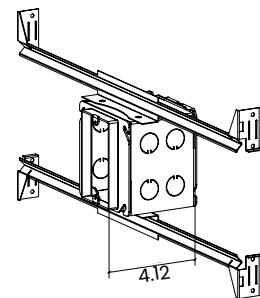
*Exclusions to the New Star Promise are gunfire and chemical reaction

DIMENSIONAL DATA

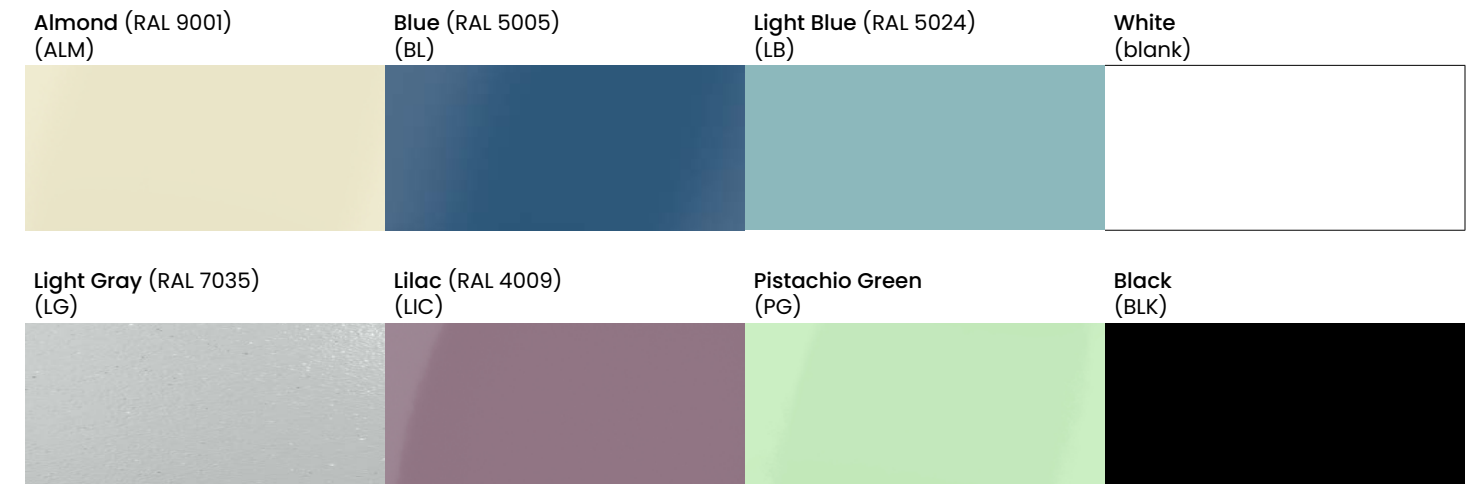


ACCESSORIES (OPT.)

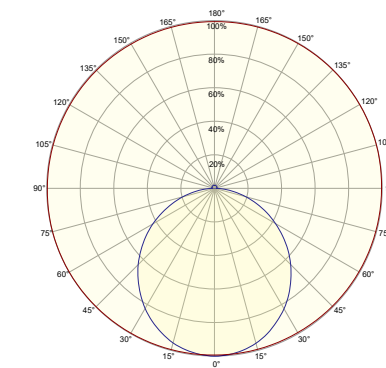
Through Wall Option



ANTIMICROBIAL FINISHES



PERFORMANCE DATA



Maximum intensity = 272.0 cd. Located at horizontal, vertical angles 15H 5V
 — Peak plane: C165 - C345 (through max.intensity cd)
 — Horizontal cone through vertical angle 5