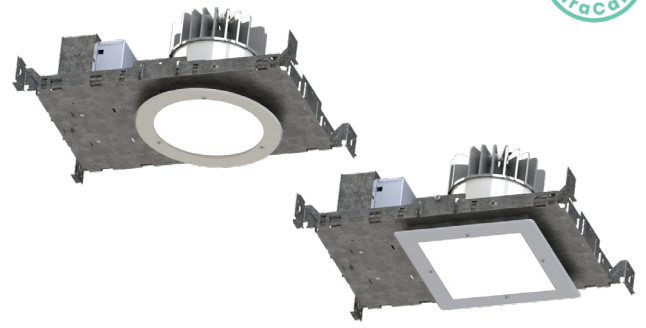




PROJECT: _____
 TYPE: _____
 PRODUCT: _____
 APPROVED BY: _____



DCDL SERIES

PRODUCT FEATURES

- Ligature-resistant features to support Behavioral Health applications; durable construction suitable for high-abuse environments
- 4" and 6" sealed recessed downlight, round or square aperture options
- Suitable for wet location installations, IK10 listed per IEC60068-2-75: 2014, and IP65 rated (from the room-side) per IEC60598
- Variety of wattages and lumen packages, up to 3750lm at 43W (6")
- This product is Made in America and complies with Buy American Act (BAA)
- The DCDL Series is covered by the New Star Promise

HOUSING ORDERING INFORMATION



Example: DCDL-4R-SD-UN-DMI-FZ1

DCDL						
Series	Aperture 4 = 4 inch 6 = 6 inch	Shape R = Round S = Square	Lumen Output* LW = Low SD = Standard MD = Medium HG = High CL = Custom Lumens** *Subject to change. Performance data on page 3. **Must be specified at time of quote. Must not exceed fixture maximum output.	Voltage 12 = 120V 27 = 277V UN = Universal (120V-277V)	Driver Type DMI = 0-10V Dimming with 1-100% range DMT = 0-10V & TRIAC/ELV* *Must specify with 120V. Tunable White Driver* TWO = 2 CHANNEL 0-10V TWD = 2 CHANNEL DALI8 *Tunable White Driver requires choice of TW1 or TW2 in Color Temp column.	Options FZ1 = Fuse (120V) FZ2 = Fuse (277V) IC = IC Rated Housing* EM = Emerg. Battery (Remote)** W = Wing Bracket CCEA = Chicago Plenum Compliant *Max 23W. **If stored, batteries should be fully recharged every six months and kept between 0°C-25°C to maintain optimal battery capacity.

TRIM ORDERING INFORMATION

Example: DCDL-4R-30-90C-1-F-C

DCDL							
Series	Aperture 4 = 4 inch 6 = 6 inch	Shape R = Round S = Square	Color Temp. 30 = 3000K 35 = 3500K 40 = 4000K 50 = 5000K AMB = Amber (585-595nm) BLU = Blue (470nm) Tunable White* TW1 = 2700K to 5000K TW2 = 2700K to 6500K *Must specify Tunable White Driver.	CRI 80C = 80 CRI 90C = 90 CRI* *N/A with 5000K. 90 CRI standard for Tunable White.	Flush Lens 1 = .125 Clear Poly. 2 = .250 Clear Poly.	Trim F = Flange DF = Dead Front Flange	Trim Finish A = .080 Alum. Painted* B = 18Ga. CRS Painted C = 18Ga. 304 Brushed D = 18 Ga. 304 SS Painted *Antimicrobial standard

SPECIFICATIONS

HEAT SINK: Custom diecast aluminum heat sink design for maximum thermal dissipation.

FRAME-IN KIT: 20-gauge die-formed, galvanized steel. Vertically adjustable collar accommodates ceiling thicknesses up to 1.25", adjustable post-installation. telescopic hanger bars come as standard. can be installed in either direction (wing bracket can be ordered as option) for installation with wood and steel frame joists and T-grid ceiling systems spaced up to 24" on center. Quick-access junction box accessible post-installation from above and below ceiling. Includes (7) 1/2" knock-outs to allow straight conduit runs.

TRIM: IP-rated trim/light engine incorporates the heat sink, LED module, optics and lower trim. Flush lens trim secured with Phillips fasteners. Closed-cell gasketing at ceiling flange.

OPTICAL: Round or square aperture with clear impact-resistant polycarbonate lens.

ELECTRICAL: LED source available in multiple CCT and CRI combinations with a maximum 3-step MacAdam variation allowance. 120-277VAC, 50/60Hz electrical input with serviceable constant current driver (<20% THD, >0.90 PF). Minimum 85% driver efficiency. Standard 0-10V dimming with 1-100% range; 0.2mA maximum source current. Optional eldoLED ECOdrive DALI-2/LEDcode2 driver with 1-100% range.

TUNABLE DRIVER OPTIONS:

- TWO** = 2 CHANNEL 0-10V one channel for brightness, one channel for CCT
- TWD** = 2 CHANNEL DALI8 one channel for brightness, one channel for CCT

FINISH: White antimicrobial polyester powder coat finish following multi-stage iron phosphate pretreatment.

INSTALLATION: Recessed drywall and grid installation. Frame adjustable to ceiling thickness 0.5" to 1.25".

WARRANTY: New Star Promise.

LABEL: Fixture is certified to UL standards by Intertek Testing Laboratory for non-IC and wet location installations. IP65 Rating per IEC60598. Meets ISO3/Class 1 Cleanroom Standards. Certified for NSF2 Splash Zone/ Non-Food Zones. This product is Made in America and complies with Buy American Act (BAA).



The DuraCare™ Behavioral Health Downlight Series is covered by our New Star Promise.

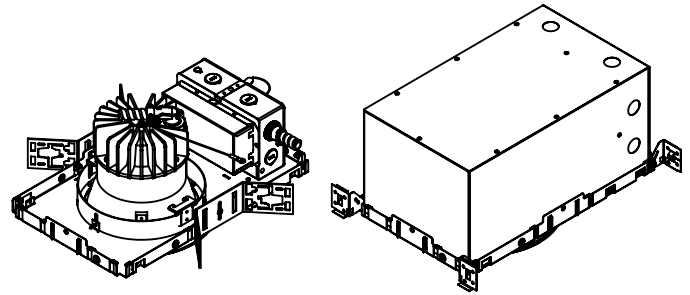
Our promise means we will repair or replace any of our High Abuse or Vandal-Resistant architectural luminaires when installed according to our instructions for the life of the original installation if the fixture should fail due to physical abuse*.

*Damage caused by gunfire and chemical reactions is not covered by the New Star Promise

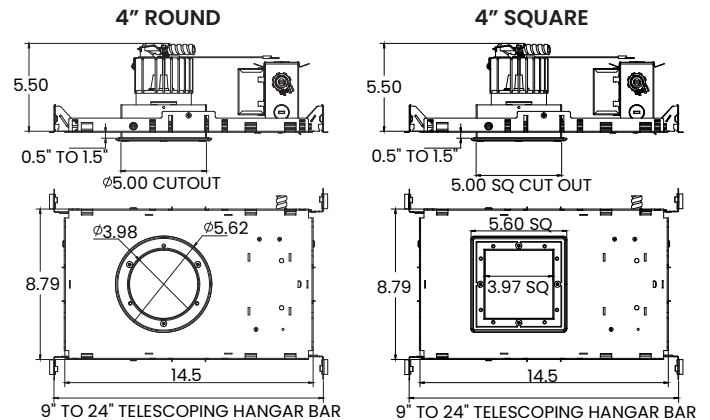
DIMENSIONAL DATA

NON-IC CONSTRUCTION

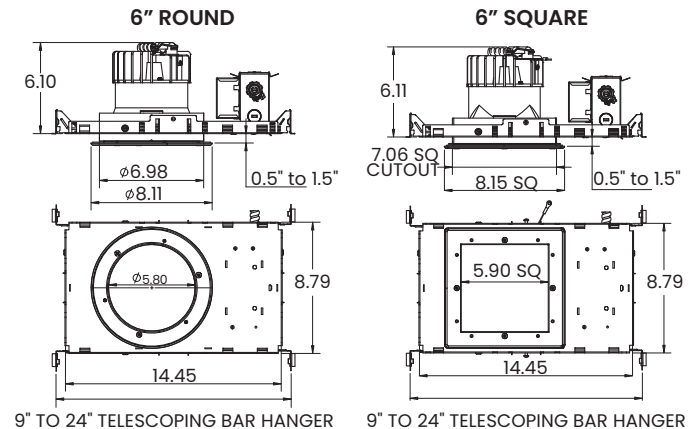
IC CONSTRUCTION



4" DOWNLIGHT



6" DOWNLIGHT



PERFORMANCE DATA

*Data is with 80 CRI chip at 4000K. 6IN Downlight Wide beam, 1500lm Engine, 115lm/W at 18.75W

MODEL	SHAPE	OUTPUT	LUMENS DELIVERED	EFFICACY (lm/W)	INPUT POWER (W)
DCDL4	R = Round	LW = Low	1087	73	14
		SD = Standard	1375	74	18
		MD = Medium	1580	74	21
		HG = High	1935	69	28
	S = Square	LW = Low	1128	75	14
		SD = Standard	1346	76	18
		MD = Medium	1515	76	21
		HG = High	1907	76	28
DCDL6	R = Round	LW = Low	1271	92	14
		SD = Standard	1886	93	20
		MD = Medium	2479	92	27
		HG = High	3750	86	44
	S = Square	LW = Low	1178	85	14
		SD = Standard	1748	86	20
		MD = Medium	2296	84	27
		HG = High	3506	80	43



New Star Lighting

2225 W Pershing Rd, Chicago, IL 60609
 (773) 847-1400
www.newstarlighting.com

Specifications and dimensions are subject to change without notice. For additional options and dimensional details, please consult your New Star Lighting representative.

© 2026, New Star Lighting. All rights reserved. Unauthorized duplication or distribution is prohibited.