

A-LINE MULTI-FUNCTIONAL BEHAVIORAL HEALTH PATIENT LUMINAIRE



PROJECT: _____
 TYPE: _____
 PRODUCT: _____
 APPROVED BY: _____

PRODUCT FEATURES

- Ligature resistance design for behavioral health overbed applications and standard with tamper-resistant center pin Torx® head fasteners
- 4 Functional modes: Ambient, Exam, Reading, and Nightlight
- Asymmetric distribution for Exam
- Recommended to be used in pairs adjacent to the patient bed. Sold individually. Must order a "left" and a "right" for a complete pair.
- Fixture is certified to UL standards, IP65 rated per IEC60598, and NSF2 Splash Zone/Non-Food Zone listed, CCEA approved
- This product is Made in America and complies with Buy American Act (BAA) requirements and the Build America Buy America Act (BABAA)



DCAL

ORDERING INFORMATION

Example: DCAL4L-FL-AE30-RD30-90C-AM-UN-DM1



DCAL	4		FL			
Series	Nominal Size* 4 = 4'	Position L = Left R = Right	Mounting FL = Drywall Flange	Ambient & Exam Lumen Output (individual)	Ambient & Exam Color Temp.*	Reading (Optional)*
	*Consult factory for other lengths.	*Recommended to be used in pairs adjacent to the patient bed. Will need to order both a Left & a Right for a complete pair.		AE = Nominal 2300lm Ambient/5800lm Exam CL = Custom Lumens*	30 = 3000K 35 = 3500K 40 = 4000K Tunable White** TW1 = 2700K to 5000K TW2 = 2700K to 6500K	RD30 = Reading light 3000K RD35 = Reading light 3500K RD40 = Reading light 4000K
				*Must be specified at time of quote. Must not exceed fixture maximum output.	*Selected CCT will be the same for both ambient and exam functions. **Must specify Tunable White Driver.	*Reading lights in both fixtures. When Reading is selected a 3rd circuit is standard. Reading light CCT can differ from color temp selected for ambient and exam functions.

90C				
CRI 90C = 90 CRI	Finish AM = Antimicrobial white* C = Custom**	Voltage 12 = 120V 27 = 270V 34 = 347V UN = Universal (120-277V)	Driver Type DMI = 0-10V Dimming with 1-100% range DMT = 0-10V & TRIAC/ELV Tunable White Driver* TWD = 2-Channel DALI Type 8 with 1-100% range TWO = 2-Channel 0-10v with 1-100% range	Options EL1 = Emergency Battery (10W) LV06 = Low Voltage Controller* LNA = Amber Nightlight (585-595nm)**
	*Standard finish. **RAL number required.		*Tunable White Driver requires choice of TW1 or TW2 in Color Temp column.	*N/A with emergency battery. **When specified in pairs, Nightlight will be in Right unit.



New Star Lighting

2225 W Pershing Rd, Chicago, IL 60609
 (773) 847-1400
 www.newstarlighting.com

Specifications and dimensions are subject to change without notice. For additional options and dimensional details, please consult your New Star Lighting representative.

SPECIFICATIONS

HOUSING: Extruded aluminum construction with aluminum endcaps. Closed cell neoprene pad gasket on inside flange.

DOOR: Flush and ligature resistant one piece, seam welded aluminum door supplied with a gasketed, .187" polycarbonate lens and secured with tamper resistant Torx Head fasteners. Inner lens provided with symmetric/asymmetric distribution for ambient and exam applications.

LED: Available in three color temperatures 3000K, 3500K and 4000K with maximum 3-step MacAdam variation allowance. Tunable White also available, from 2700K - 5000K or 2700K - 6500K. Minimum 50,000 hours with 70% lumen maintenance in a 25°C ambient temperature, compliant with IES LM-80 testing standards.

ELECTRICAL: 120-277VAC or 347VAC, 50/60Hz electrical input. High power factor electronic, constant current driver (<20% THD, >0.90 PF). Standard 0-10V dimming with 1-100% range for Ambient and Reading loads. Ambient and Exam compartments default to 2 circuits (1 Ambient, 1 Exam) unless otherwise specified. When Reading is selected, Reading is supplied on an additional independent circuit.

TUNABLE DRIVER OPTIONS:

TWD - DALI Type 8 (One DALI Address)

TWO - Two channel 0-10V dimming: one channel for brightness, one channel for CCT

LOW VOLTAGE CONTROL: LV06 specifies the Curbell LVC2000-06 low voltage controller. Standard configuration provides three low voltage control circuits per pair: LV circuit 1 controls Ambient and dimming, LV circuit 2 controls Reading and dimming, and LV circuit 3 triggers Exam mode and drives the Ambient and Exam functions to full brightness to provide the complete exam function. Night Light, when ordered, is wired as a separate line voltage circuit and is not controlled through LV06. One controller per pair is provided. Compatible with normally-open momentary dry contacts from pillow speakers, bedside rails, or wall switches. Other configurations are available - consult factory. Leads are factory labeled for field installation. Controls and any additional accessories by others.

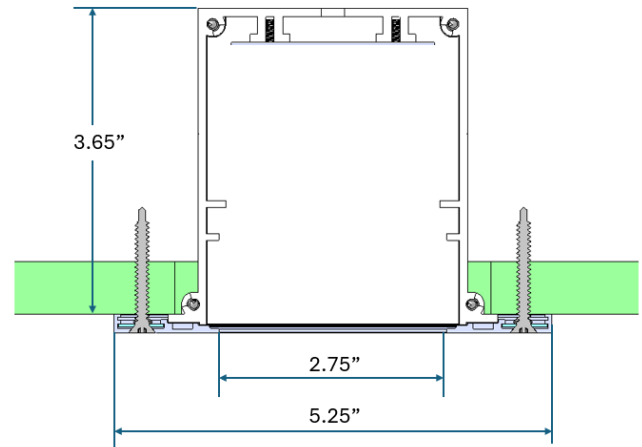
FINISH: Antimicrobial, white polyester finish following multistage iron phosphate pretreatment on all exposed room-side surfaces. Custom finishes also available.

INSTALLATION: Recessed Grid (9/16" or 15/16") or Flange

WARRANTY: Five (5) year warranty.

LABEL: Fixture is certified to UL standards by Intertek Testing Laboratory. IP65 Rating per IEC60598. Certified for NSF2 Splash Zone/Non-Food Zones. Standard CCEA compliance.

DIMENSIONAL DATA



New Star Lighting

2225 W Pershing Rd, Chicago, IL 60609
(773) 847-1400
www.newstarlighting.com

Specifications and dimensions are subject to change without notice. For additional options and dimensional details, please consult your New Star Lighting representative.

© 2026, New Star Lighting. All rights reserved. Unauthorized duplication or distribution is prohibited.

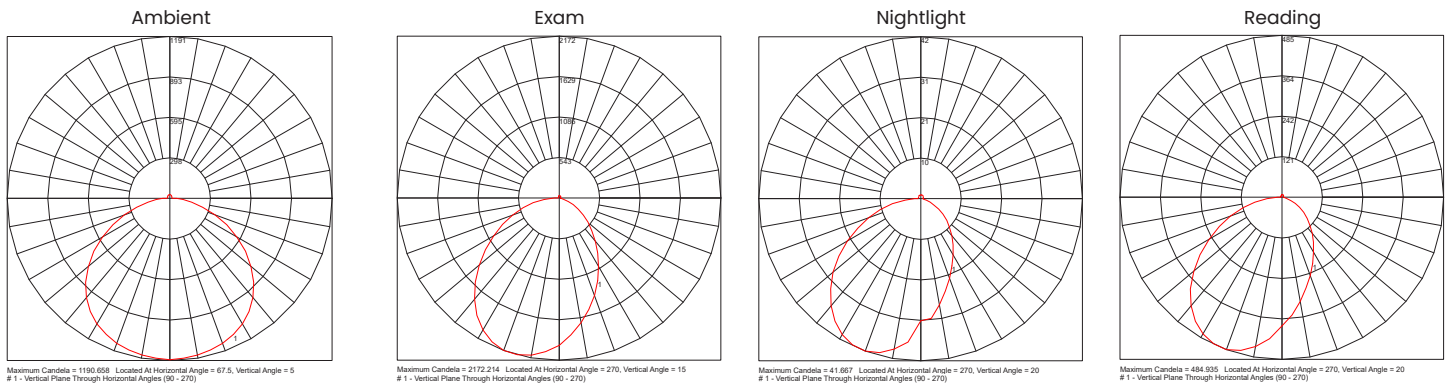
PERFORMANCE DATA

Performance at 3500K @ 90CRI. If 80CRI is specified, there is a 10-15% increase in delivered lumens. Consult factory. Data is based on a pair of 4 foot luminaires using one driver each.

MODEL	FUNCTION	CCT	LUMENS DELIVERED	EFFICACY (lm/w)	INPUT POWER (w)
DCAL	Ambient	30K	5920	74	80
		35K	6080	76	80
		40K	6240	78	80
	Exam + Ambient	30K	15120	84	180
		35K	15480	86	180
		40K	15840	88	180
	Reading	30K	2325	93	25
		35K	2375	95	25
		40K	2425	97	25
	Nightlight	18K	138	23	6

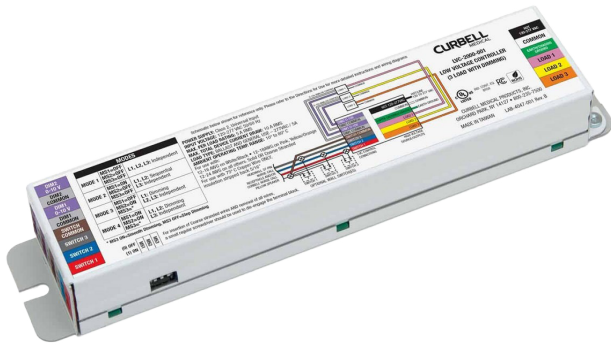
*When luminaires are in exam mode the ambient will also be on. These values represent the combined lumen package of both ambient and exam.

PHOTOMETRIC CURVES



	AMBIENT	EXAM	READING	NIGHTLIGHT
A-Line	'15X'15 ROOM	ON BED	ON BED, IN READING	3' SURROUNDING
Avg. FC	19	100	24	1.1
Avg. to Min	2.71	1.7	1.74	2.85

LOW VOLTAGE CONTROLLER · CURBELL LVC2000-06



- 0-10V dimming
- Universal 120-277VAC input voltage
- Controls up to three loads
- Standard LV06 configuration: two dimming loads and one on/off exam trigger load
- Exam function raises multiple loads to maximum light with the touch of a button
- Step dimming levels: 100%, 75%, 50%, 25%, Off
- Smooth dimming: press and hold to decrease or increase output
- Bedside interface is low-voltage Class 2 (30VDC @ 1A or less)

Note: Night Light, when ordered, is wired as a separate line-voltage circuit and is not controlled through LV06. One controller is provided per fixture pair. Other configurations are available – consult factory.

Operating Parameters	
Model / Option Code	Curbell LVC2000-06 / LV06
Input Voltage	Universal 120-277VAC input voltage
Dimming Type	0-10V dimming
Supported Loads	Controls up to three loads
Standard LV06 Wiring	
Exam Function	Single control input drives multiple loads to maximum lighting levels
Switch Requirements	Normally-open momentary dry contacts
Compatible Controls	Pillow speaker, bedside rail, and/or wall switch
Step Dimming	100%, 75%, 50%, 25%, Off
Smooth Dimming	Press and hold to decrease or increase light level once load is on
Bedside Safety	Low-voltage Class 2 at bedside (30VDC @ 1A or less)



New Star Lighting

2225 W Pershing Rd, Chicago, IL 60609
(773) 847-1400
www.newstarlighting.com

Specifications and dimensions are subject to change without notice. For additional options and dimensional details, please consult your New Star Lighting representative.

© 2026, New Star Lighting. All rights reserved. Unauthorized duplication or distribution is prohibited.