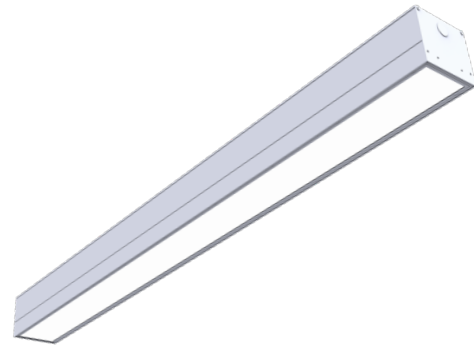


PROJECT: \_\_\_\_\_  
 TYPE: \_\_\_\_\_  
 PRODUCT: \_\_\_\_\_  
 APPROVED BY: \_\_\_\_\_

## PRODUCT FEATURES

- Intended to provide general lighting for the MRI environment
- Non-ferrous construction and hardware
- Remote mounted power supply enclosures standard with optional EMI filter availability
- Available in 2' - 8' lengths
- Up to 1125 lumens/ft.
- Certified to UL standards by Intertek Testing Laboratory. IP65 rated per IEC60598. NSF2/Non-Food Zone Listed, IK10 Listed per IEC60068-2-75. IC-Rated housing per UL 1598 Independently tested and certified to meet the MIL Spec 461G Fixed Navy/Air Force for Radiated and Conducted emissions
- This product is Made in America and complies with the Buy American Act (BAA), and the Build America, Buy America Act (BABAA)



CCL Series

## ORDERING INFORMATION

Example: CCL48-MRI-TB9-750-35-80-AM-D-SYM-27



CCL		MRI		
<b>Series</b>	<b>Nominal Length*</b>	<b>MRI</b>	<b>Ceiling Configuration</b>	<b>Nominal Lumen Output*</b>
	24 = 2'		<b>TB9</b> = 9/16" Lay-In Grid	<b>500</b> = 500LM/FT-Min
	36 = 3'		<b>TB15</b> = 15/16" Lay-in Grid	<b>750</b> = 750LM/FT
	48 = 4'		<b>TG9</b> = 9/16" Tegular Grid	<b>1125</b> = 1125LM/FT-Max
	72 = 6'		<b>TG15</b> = 15/16" Tegular Grid	<b>CL</b> = Custom Lumens*
	96 = 8'		<b>FL</b> = Flange*	
	*Available in 1' increments. Consult factory for other lengths.		<b>NFL</b> = No Flange	*Must be specified at time of quote. Must not exceed fixture maximum output.
			<b>ST</b> = Screw Slot	
			<b>TM</b> = Trimless Mud-In for 5/8" Drywall*	
			*Suitable for use with WM option, refer to page 2.	
				<b>Color Temp.</b>
				<b>30</b> = 3000K
				<b>35</b> = 3500K
				<b>40</b> = 4000K
				<b>Tunable White*</b>
				<b>TW1</b> = 2700K to 5000K
				<b>TW2</b> = 2700K to 6500K
				*Must specify Tunable White Driver.

		D			
<b>CRI</b>	<b>Finish</b>	<b>Outer Lens</b>	<b>Inner Lens</b>	<b>Voltage</b>	<b>Options</b>
<b>80C</b> = 80 CRI	<b>AM</b> = Antimicrobial	<b>D</b> = .250	<b>SYM</b> = Symmetric	<b>12</b> = 120V	<b>WM</b> = Wall Mount*
<b>90C</b> = 90 CRI	White	Clear Poly.	<b>ASY</b> = Asymmetric	<b>27</b> = 270V	<b>EF-M</b> = Middle Feed Fixture**
	<b>C</b> = Custom Color*		Wash Wall	<b>34</b> = 347V*	<b>EF-L</b> = End Feed Left Fixture***
	*RAL number required.			<b>UN</b> = Universal (120V-277V)	<b>EF-R</b> = End Feed Right Fixture****
				*Only available with FL or TM configuration options, refer to drawing on Page 2.	
				*347V only available with DMI Drivers.	**Flange is removed from both ends of fixture, refer to drawing on Page 2.
					***If ASY is specified, inner flange is removed with main beam directed right, refer to drawing on Page 2.
					****If ASY is specified, inner flange is removed with main beam directed left, refer to drawing on Page 2.



**New Star Lighting**

2225 W Pershing Rd, Chicago, IL 60609  
 (773) 847-1400  
 www.newstarlighting.com

Specifications and dimensions are subject to change without notice. For additional options and dimensional details, please consult your New Star Lighting representative.

## SPECIFICATIONS

**HOUSING:** Non-ferrous extruded aluminum construction and endcaps.

**LENS:** Clear polycarbonate outer lens with inner optical diffusion lens, providing either asymmetric or symmetric distribution.

**DOORFRAME:** One-piece, die-formed aluminum doorframe and room-side fasteners finished with antimicrobial white powder-coat finish.

**LED:** LED modules are available in 3000K, 3500K, and 4000K with maximum 3-step MacAdam variation allowance. Tunable White also available, from 2700K-5000K or 2700K-6500K. Minimum 50,000 hours with 85% lumen maintenance in a 25°C ambient temperature environment, compliant with IES LM-80 testing standards.

**ELECTRICAL:** Standard 120-277VAC 50/60Hz or 347VAC 60Hz electrical input with serviceable constant-current drivers (<10%THD, >0.90 PF). 0-10V Dimming with 1-100% range.

### TUNABLE DRIVER OPTIONS:

- DALI8** - DALI Type 8 (One DALI Address)
- TWO** - Two channel 0-10V dimming: one channel for brightness, one channel for CCT

**FINISH:** Antimicrobial, white finish following multistage iron phosphate pretreatment on all exposed room-side surfaces.

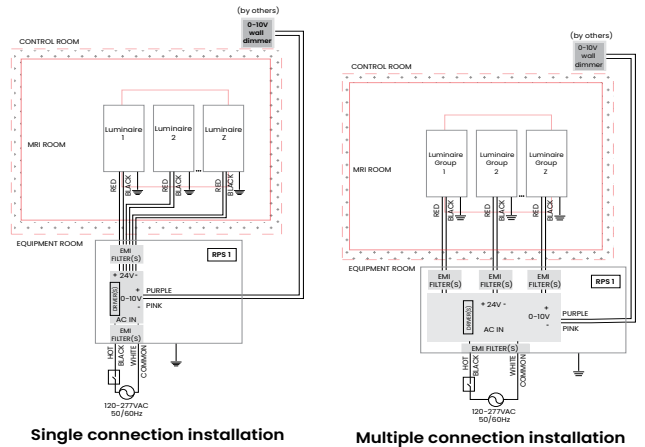
**INSTALLATION:** Recessed Grid, Screw Slot Grid, Drywall Flange, Drywall Flangeless and Mud-In Flange options. MRI room EMI filters required (see Accessories below). Suitable for 0°C to 25°C ambient temperature environments.

**LABEL:** Fixture is certified to UL standards by Intertek Testing Laboratory for Type-IC and Wet Location installations. IP66 Rating per IEC60598. Certified for NSF2 Splash Zone/ Non-Food Zones. Standard CCEA compliance. Meets FED-STD-209E/Class 1 (ISO 3) Cleanrooms. Compliant with MIL-STD 461G for radiated and conducted emissions. This product is Made in America and complies with the Buy American Act (BAA), and the Build America, Buy America Act (BABAA)

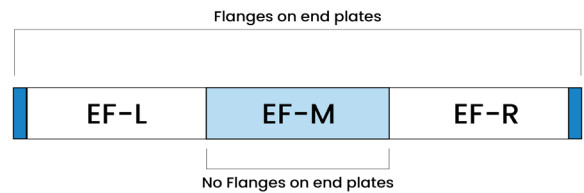
**WARRANTY:** New Star Lighting will warrant defective LEDs, boards, EMI filters, and drivers for 5 years from date of purchase. Warranty is valid only if luminaire is installed and used according to specifications and installation instructions.

If defective, New Star will send replacement boards, filters or drivers at no cost along with detailed replacement instructions and instructions on how to return defective components to New Star. For warranty purposes please carefully read all supporting instructions, and make sure to follow them for the installation.

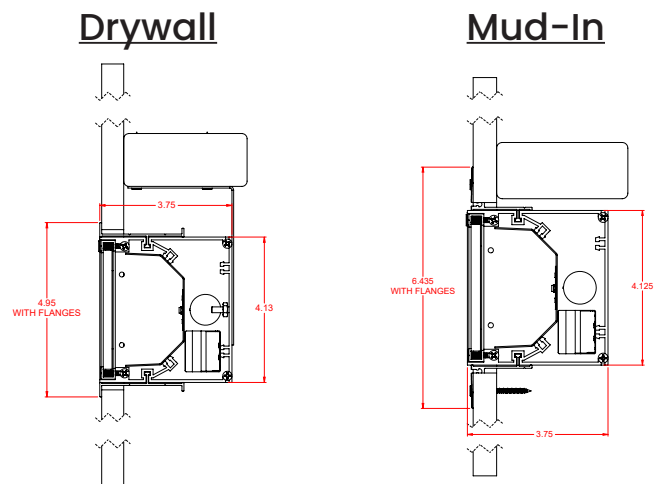
## EXAMPLE WIRING DIAGRAMS



## END FEED CONFIGURATION



## WALL MOUNT INSTALLATION



## PERFORMANCE DATA\*

\*Data is based on testing at 4000K.

MODEL	DISTRIBUTION	LUMENS PER FOOT	EFFICACY (lm/w)	INPUT POWER (W)
CCL24	SYMMETRIC	500	90	11
		750	90	16
		1125	90	25
	ASYMMETRIC	500	88	11
		750	88	17
		1125	88	25
CCL36	SYMMETRIC	500	90	16
		750	90	24
		1125	90	37
	ASYMMETRIC	500	88	17
		750	88	26
		1125	88	38
CCL48	SYMMETRIC	500	90	22
		750	90	32
		1125	90	50
	ASYMMETRIC	500	88	22
		750	88	34
		1125	88	50
CCL72	SYMMETRIC	500	90	33
		750	90	49
		1125	90	75
	ASYMMETRIC	500	88	34
		750	88	50
		1125	88	75
CCL96	SYMMETRIC	500	90	44
		750	90	65
		1125	90	99
	ASYMMETRIC	500	88	45
		750	88	67
		1125	88	100

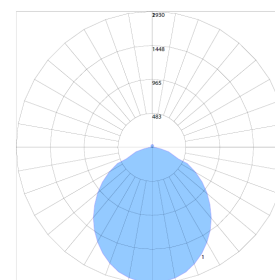
## MULTIPLIERS

CRI	MULTIPLIER
80 CRI	1
90 CRI	0.95

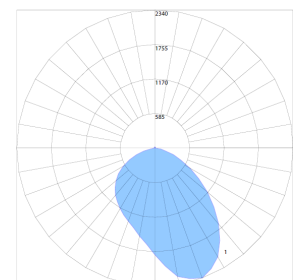
CCT	MULTIPLIER
3000K	0.95
3500K	0.98

## PHOTOMETRIC CURVES

SYMMETRIC:



ASYMMETRIC WALL WASH:



**New Star Lighting**

2225 W Pershing Rd, Chicago, IL 60609  
 (773) 847-1400  
[www.newstarlighting.com](http://www.newstarlighting.com)

Specifications and dimensions are subject to change without notice. For additional options and dimensional details, please consult your New Star Lighting representative.

© 2026, New Star Lighting. All rights reserved. Unauthorized duplication or distribution is prohibited.

## POWER SUPPLY SPECIFICATION FEATURES

**HOUSING:** Galvanized steel housing. The power supply must be installed outside the shielded MRI environment. Housing contains ferrous components that can damage or interfere with MRI equipment.

**ELECTRONICS:** 24VDC from remote-located 120-277VAC, high-power-factor power supply with EMI filter. Dimming line EMI filter required if utilizing dimming function. Internal non-switch mode DC-DC driver.

**EMI FILTER:** MRI Room EMI filter required (supplied by others). Note, each driver requires individual filter.

**INSTALLATION:** Wiring/Conduit: All power and dimming wiring must be completely shielded in grounded conduit. Minimum 18 AWG low voltage supply wire.

## ORDERING INFORMATION

Example: CCL48-PS-34W-4/4-DMI

CCL		PS			
<b>Series</b>	<b>Nominal Length*</b>	<b>PS = Power Supply</b>	<b>Wattage</b>		<b>Drivers per Fixture*</b>
	24 = 2'		<b>CCL24:</b>	<b>CCL72:</b>	<b>1/1 = 1 Driver to power 1 Fixture</b>
	36 = 3'		11W = 11 Watts	34W = 34 Watts	<b>2/2 = 2 Drivers to power 2 Fixtures</b>
	48 = 4'		17W = 17 Watts	50W = 50 Watts	<b>3/3 = 3 Drivers to Power 3 Fixtures</b>
	72 = 6'		25W = 25 Watts	75W = 75 Watts	<b>4/4 = 4 Drivers to Power 4 Fixtures</b>
	96 = 8'		<b>CCL36:</b>	<b>CCL96:</b>	*Filter required by others. Consult factory for additional Power Supply Options.
	*Available in 1' increments. Consult factory for other lengths.		17W = 17 Watts	45W = 45 Watts	
			26W = 26 Watts	67W = 67 Watts	
			38W = 38 Watts	100W = 100 Watts	*Tunable White Driver requires choice of TW1 or TW2 in Color Temp. column from Page 1.
			<b>CCL48:</b>		
			22W = 22 Watts		
			34W = 34 Watts		
			50W = 50 Watts		

MODEL	WATTAGE @ 500LM	# OF MAX DRIVERS PER FIXTURE	WATTAGE @ 750LM	# OF MAX DRIVERS PER FIXTURE	WATTAGE @ 1200LM	# OF MAX DRIVERS PER FIXTURE
CCL24	11W	1	17W	1	25W	1
CCL36	17W	1	26W	1	38W	1
CCL48	22W	1	34W	1	50W	1
CCL72	34W	1	50W	1	75W	2
CCL96	45W	1	67W	2	100W	2

## IMPORTANT SAFETY MEASURES

Power must be supplied by grounded New Star Remote Power Supply to ensure adequate EMI filtering. Remote Power Supply system must be ordered separately, and installed according to provided instructions.

- This must be installed in accordance with the applicable installation code by a person familiar with the construction and operation of the product and the hazards involved in a MRI environment
- Disconnect power to all circuits before wiring fixture
- Install in accordance with all national, state, and local codes
- Remote Power Supply MUST be grounded
- Failure to install unit on a mechanically sound surface may result in personal injury, physical damage, or potential fire hazard
- Use installation procedures appropriate to a MRI environment and sensitive electronic equipment
- Read all fixture marketing and labels to ensure correct installation of the luminaire
- Supplemental instructions may be located on the luminaire, in addition to the instruction sheet provided by New Star, regarding orientation or mounting restrictions



### New Star Lighting

2225 W Pershing Rd, Chicago, IL 60609  
(773) 847-1400  
[www.newstarlighting.com](http://www.newstarlighting.com)

Specifications and dimensions are subject to change without notice. For additional options and dimensional details, please consult your New Star Lighting representative.

© 2026, New Star Lighting. All rights reserved. Unauthorized duplication or distribution is prohibited.