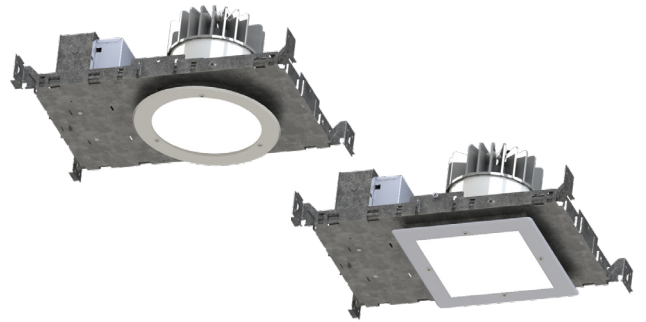


COMPLETECARE™ MRI DOWNLIGHT SERIES

PROJECT: _____
 TYPE: _____
 PRODUCT: _____
 APPROVED BY: _____



CCDL-MRI SERIES

PRODUCT FEATURES

- Intended for MRI and Hybrid Surgical Suite applications
- 4" or 6" non-ferrous, sealed downlight, round and square aperture options
- Variety of wattages and lumen packages, up to 4000 lumens
- Suitable for wet location installations, IP65 rated (from the room-side) per IEC60598 and NSF2 Splash/Non-Food Zone listed. Optional IC-Rated housing per UL 1598 Independently tested and certified to meet the MIL Spec 461G Fixed Navy/Air Force for Radiated and Conducted emissions
- This product is Made in America and complies with Buy American Act (BAA)

HOUSING ORDERING INFORMATION

Example: CCDL-MRI-4R-SD-UN-FZ1



CCDL	MRI						
Series	MRI	Aperture 4 = 4 inch 6 = 6 inch	Shape R = Round S = Square	Lumen Output* LW = Low SD = Standard MD = Medium HG = High** CL = Custom Lumens*** *Subject to change. Performance data on page 3. **N/A with CCDL-4. ***Must be specified at time of quote. Must not exceed fixture maximum output.	Voltage 12 = 120V 27 = 277V UN = Universal (120V-277V)	Options FZ1 = Fuse (120V) FZ2 = Fuse (277V) IC = IC Rated Housing* W = Wing Bracket CCEA = Chicago Plenum Compliant *Max 23W.	

TRIM ORDERING INFORMATION

Example: CCDL-MRI-4R-30-90C-1-F-A

CCDL	MRI							A
Series	MRI	Aperture 4 = 4 inch 6 = 6 inch	Shape R = Round S = Square	Color Temp. 30 = 3000K 35 = 3500K 40 = 4000K 50 = 5000K Tunable White* TW1 = 2700K to 5000K TW2 = 2700K to 6500K *Must specify Tunable White Driver.	CRI 80C = 80 CRI 90C = 90 CRI* *N/A with 5000K. 90 CRI standard for Tunable White.	Flush Lens 1 = .125 Clear Poly. 2 = .250 Clear Poly.	Trim F = Flange T = Trimless	Trim Finish A = .080 Alum. Painted* *Antimicrobial standard

COMPLETECARE™ MRI DOWNLIGHT SERIES

SPECIFICATIONS

HEAT SINK: Custom diecast aluminum heat sink design for maximum thermal dissipation.

FRAME-IN KIT: Vertically adjustable collar accommodates ceiling thicknesses up to 1.25", adjustable post-installation. Telescopic hanger bars come as standard. For installation with wood T-grid ceiling systems spaced up to 24" on center.

TRIM: IP-rated trim/light engine incorporates the heat sink, LED module, optics and lower trim. Flush lens trim secured with Phillips fasteners. Closed-cell gasketing at ceiling flange.

OPTICAL: Round or square aperture with clear impact-resistant polycarbonate lens.

ELECTRICAL: LED source available in multiple CCT and CRI combinations with a maximum 3-step MacAdam variation allowance. 120-277VAC, 50/60Hz electrical input with serviceable constant current driver (<20% THD, >0.90 PF). Minimum 85% driver efficiency. Standard 0-10V dimming with 1-100% range; 0.2mA maximum source current.

TUNABLE DRIVER OPTIONS:

TW0 = 2 CHANNEL 0-10V one channel for brightness, one channel for CCT

TWD = 2 CHANNEL DALI8 one channel for brightness, one channel for CCT

INSTALLATION: Recessed drywall and grid installation. Frame adjustable ceiling thickness 0.5" to 1.25".

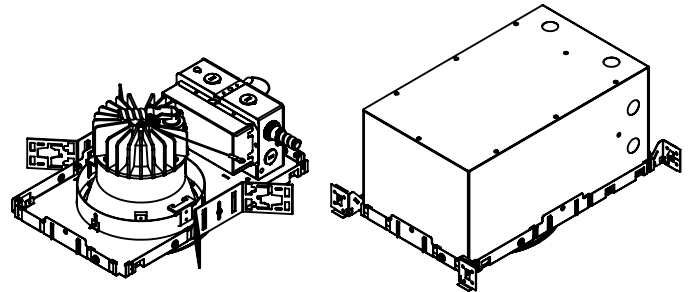
WARRANTY: 5 Year Warranty.

LABEL: Fixture is certified to UL standards by Intertek Testing Laboratory for wet location installations. IP65 Rating (from the room-side) per IEC60598. Meets ISO4/Class 1 Cleanroom Standards. Certified for NSF2 Splash Zone/ Non-Food Zones. This product is Made in America and complies with Buy American Act (BAA).

DIMENSIONAL DATA

NON-IC CONSTRUCTION

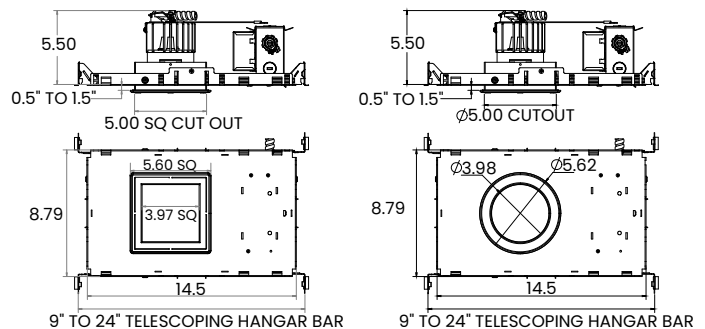
IC CONSTRUCTION



4" DOWNLIGHT

4" SQUARE

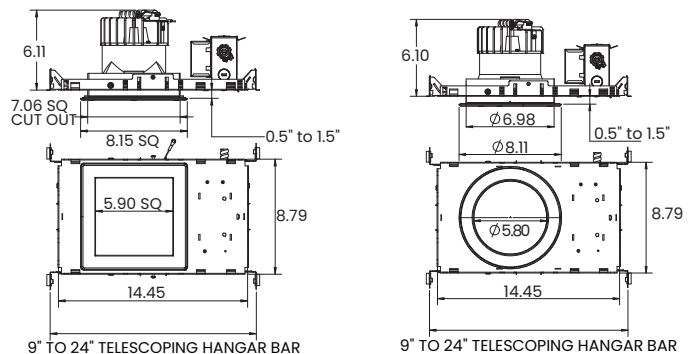
4" ROUND



6" DOWNLIGHT

6" SQUARE

6" ROUND



New Star Lighting

2225 W Pershing Rd, Chicago, IL 60609
(773) 847-1400
www.newstarlighting.com

Specifications and dimensions are subject to change without notice. For additional options and dimensional details, please consult your New Star Lighting representative.

© 2026, New Star Lighting. All rights reserved. Unauthorized duplication or distribution is prohibited.

PERFORMANCE DATA

*Data is with 80 CRI chip at 4000K. 6IN Downlight Wide beam, 1500lm Engine, 115lm/W at 18.75W

MODEL	SHAPE	OUTPUT	LUMENS DELIVERED	EFFICACY (lm/W)	INPUT POWER (W)
CCDL4	R = Round	LW = Low	1260	84	14
		SD = Standard	1450	83	18
		MD = Medium	1650	81	21
		HG = High	2172	77	28
	S = Square	LW = Low	1257	84	14
		SD = Standard	1525	84	18
		MD = Medium	1750	83	21
		HG = High	2236	79	28
CCDL6	R = Round	LW = Low	1405	102	14
		SD = Standard	2081	103	20
		MD = Medium	2736	101	27
		HG = High	4181	96	44
	S = Square	LW = Low	1392	101	14
		SD = Standard	2070	102	20
		MD = Medium	2760	102	27
		HG = High	3990	96	42



New Star Lighting

2225 W Pershing Rd, Chicago, IL 60609
 (773) 847-1400
www.newstarlighting.com

Specifications and dimensions are subject to change without notice. For additional options and dimensional details, please consult your New Star Lighting representative.

© 2026, New Star Lighting. All rights reserved. Unauthorized duplication or distribution is prohibited.

POWER SUPPLY SPECIFICATION FEATURES

HOUSING: Galvanized steel housing. The power supply must be installed outside the shielded MRI environment. Housing contains ferrous components that can damage or interfere with MRI equipment.

ELECTRONICS: Input: 120/277V 50/60 HZ. Output: Max (3) 36VDC Constant Current Drivers.

EMI FILTER: MRI Room EMI filter required (supplied by others). Note, each driver requires individual filter.

INSTALLATION: Wiring/Conduit: All power and dimming wiring must be completely shielded in grounded conduit. Minimum 18 AWG low voltage supply wire.

ORDERING INFORMATION

Example: CCDL-4-PS-HC-MD-DMI

CCDL		PS	HC			
Series	Aperature 4 = 4 inch 6 = 6 inch	Power Supply PS = Remote Power Supply	Housing HC = Aluminum Steel	Wattage LW = Low - 14 Watts SD = Standard - 18 Watts MD = Medium - 21 Watts HG = High - 28 Watts	Driver Type DMI = 0-10V Dimming with 1-100% range DMT = 0-10V & TRIAC/ELV* *Must specify with 120V. Tunable White Driver* TW0 = 2 CHANNEL 0-10V TWD = 2 CHANNEL DALI8 *Tunable White Driver requires choice of TW1 or TW2 in Color Temp column.	Options EM = Emerg. Battery (Remote)* *If stored, batteries should be fully recharged every six months and kept between 0°C-25°C to maintain optimal battery capacity.

--	--	--

Number of Fixtures Per Driver*

Driver 1	Driver 2	Driver 3

*Divide the total number of fixtures per driver.

LW (14W) can have up to 3 fixtures per driver

SD (18W) can have up to 3 fixtures per driver

MD (21W) can have up to 2 fixtures per driver

HG (28W) can have up to 1 fixture per driver

Example: 6 fixtures with 14W

Recommended configuration (Uses least amount of drivers = least amount of filters to purchase):

Driver 1 = 3 fixtures, Driver 2 = 3 fixtures, Driver 3 = 0 fixture

Not recommended:

Driver 1 = 2 fixtures, Driver 2 = 2 fixtures, Driver 3 = 2 fixture



New Star Lighting

2225 W Pershing Rd, Chicago, IL 60609
(773) 847-1400
www.newstarlighting.com

Specifications and dimensions are subject to change without notice. For additional options and dimensional details, please consult your New Star Lighting representative.

© 2026, New Star Lighting. All rights reserved. Unauthorized duplication or distribution is prohibited.

CCDL-MRI REMOTE POWER SUPPLY

CCDL-MRI must have a remote Power Supply Box mounted outside the MRI Room. Inside each Power Supply Box are drivers (3 drivers max per box). Each driver can accommodate a certain number of fixtures based on the fixture wattage. When ordering, specifier must determine the quantity of fixtures per driver.

Note, each driver requires a MRI Filter (supplied by others).

MRI downlights available in a 14W, 18W, and 21W and 28W.

LW (14W) can have up to 3 fixtures per driver

SD (18W) can have up to 3 fixtures per driver

MD (21W) can have up to 2 fixtures per driver

HG (28W) can have up to 1 fixture per driver

The number of fixtures must be divided over the 3 drivers. See below configurations and examples.

EXAMPLE 1: CCDL-MRI-4-PS-HC-MD-DMI

MRI Room has four downlights that are MD (27W) specified. Order (1) Power Supply Box and determine number of fixtures per driver.

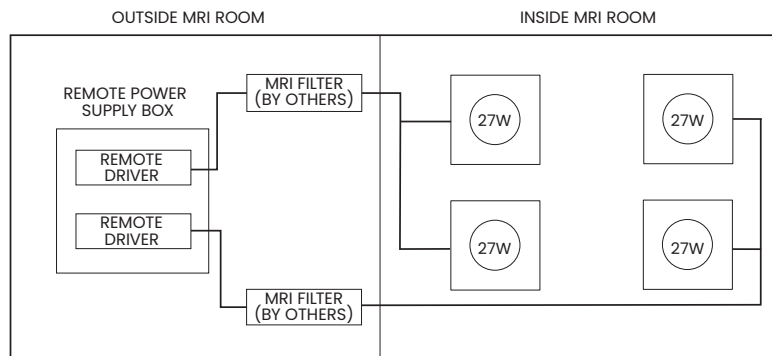
Each driver can have up to 2 fixtures.

Driver 1 = 2 fixtures

Driver 2 = 2 fixtures

Driver 3 = 0 fixtures

MRI Filters (by others) = 2



* Diagram is for example purposes only. Other configurations possible. Consult factory for lighting wiring diagrams.

EXAMPLE 1: CCDL-MRI-4-PS-HC-MD-DMI

MRI Room has nine downlights that are LW (14W) specified. Order (1) Power Supply Box and determine number of fixtures per driver.

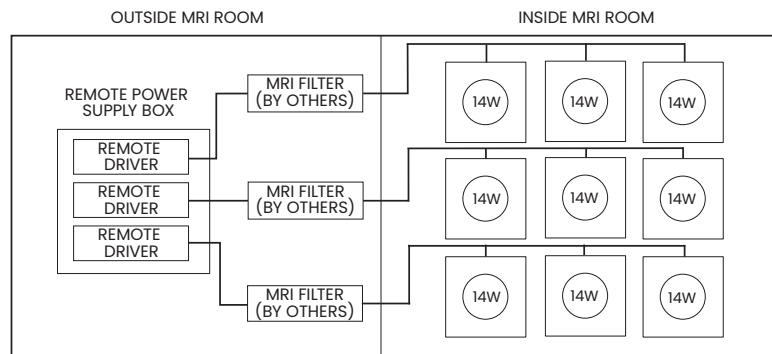
Each driver can have up to 4 fixtures.

Driver 1 = 3 fixtures

Driver 2 = 3 fixtures

Driver 3 = 3 fixtures

MRI Filters (by others) = 3



IMPORTANT SAFETY MEASURES

Power supply must be grounded to ensure adequate EMI filtering. Remote Power Supply system must be ordered separately, and installed according to provided instructions.

- This must be installed in accordance with the applicable installation code by a person familiar with the construction and operation of the product and the hazards involved in a MRI environment
- Disconnect power to all circuits before wiring fixture
- Install in accordance with all national, state, and local codes
- Remote Power Supply MUST be grounded
- Failure to install unit on a mechanically sound surface may result in personal injury, physical damage, or potential fire hazard
- Use installation procedures appropriate to a MRI environment and sensitive electronic equipment
- Read all fixture marketing and labels to ensure correct installation of the luminaire
- Supplemental instructions may be located on the luminaire, in addition to the instruction sheet provided by New Star, regarding orientation or mounting restrictions



New Star Lighting

2225 W Pershing Rd, Chicago, IL 60609
(773) 847-1400
www.newstarlighting.com

Specifications and dimensions are subject to change without notice. For additional options and dimensional details, please consult your New Star Lighting representative.

© 2026, New Star Lighting. All rights reserved. Unauthorized duplication or distribution is prohibited.