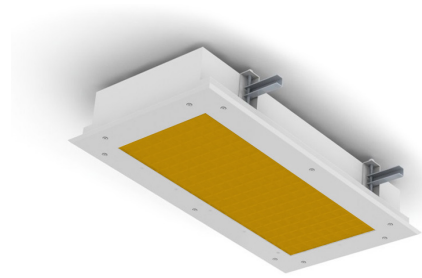


PROJECT: _____
 TYPE: _____
 PRODUCT: _____
 APPROVED BY: _____



SCR Amber Series

PRODUCT FEATURES

- Intended for Light-Sensitive applications in Semiconductor Cleanrooms, Hospitals, Hi-Tech Manufacturing Laboratories, Pharmaceutical, and more
- Surgical troffer available in a 1x2, 1x4, 2x2, 2x4
- Recessed ceiling mount; grid or flange. Compatible with 1.5" or 15/16" Grid Ceilings
- Fixture is certified to UL standards for Wet Location ISO Class 3 (Fed Std. 209E/ Class 1), Certified IP65 per IEC60598 and NSF2 Splash/Non-Food Zone ratings. Suitable for Biosafety Labs rated BSL 1 to 4. BSL Levels 3 & 4 require optional NSF P442 rating under options
- This product is Made in America and complies with the Buy American Act (BAA) and the Build America, Buy American Act (BABAA)



ORDERING INFORMATION

Example: SCR22-HC/OC-A2W235-90C-1C-A-UN

| SC | R | | | / | | | |
|--------|---|---|---|--|--|---|--|
| Series | Mounting R = Recessed (Grid/Flange) | Nominal Size* 12 = 1x2 14 = 1x4 22 = 2x2 24 = 2x4 *Nominal size. Dimensional data on Page 2. | Housing HC = 20Ga. CRS Painted HS = 20Ga. 304 SS Brushed HP = 20Ga. 304 SS Painted HA = 16Ga. Alum. Painted | Frame INSET (I) or OVERLAP (O) OC = 18Ga. CRS Painted OS = 18Ga. 304 SS Brushed OP = 18Ga. 304 SS Painted OA = 16Ga. Alum. Painted IE = Extruded Alum.** IP = Extruded Alum. Painted** IC = 20Ga. CRS Painted* IA = 16Ga. Alum. Painted* IB = 20Ga. 304 SS Brushed* IS = 20Ga. 304 SS Painted* *Inset frames (I) suitable for Biosafety Labs (BSL) rated 1-2 only. **Not IP65. N/A with .187 Prismatic Poly. Lens. Inset frames (I) suitable for Biosafety Labs (BSL) rated 1-2 only. | Configuration SCR12-14: AIW1 = 1 Amber/1 White AIW2 = 1 Amber/2 White AIW3 = 1 Amber/3 White A2W1 = 2 Amber/1 White A2W2 = 2 Amber/2 White A3W1 = 3 Amber/1 White A1 = 1 Amber LED Row A2 = 2 Amber LED Rows A3 = 3 Amber LED Rows A4 = 4 Amber LED Row | SCR22-24: A2W2 = 2 Amber/2 White A2W4 = 2 Amber/4 White A2W6 = 2 Amber/6 White A4W4 = 4 Amber/4 White A4W2 = 4 Amber/2 White A6W2 = 6 Amber/2 White A2 = 2 Amber LED Row A4 = 4 Amber LED Rows A6 = 6 Amber LED Rows A8 = 8 Amber LED Row | White LED Color Temp. blank = No White LEDs 35 = 3500K 40 = 4000K 50 = 5000K |

| | | | | | |
|-------------------------------------|--|---|--|---|---|
| CRI 80C = 80 CRI 90C = 90 CRI | Circuits 1C = 1 Circuit 2C = 2 Circuits* *Allows for Inboard/ Outboard control. | Lens A = .125 Prismatic Acrylic B = .125 Prismatic Poly. C = .156 Prismatic Poly. D = .187 Prismatic Poly.* E = .125 White Frost Poly. G = .140 Prismatic DR Acrylic** H = .125 White Frost Acrylic **Cannot be used with IE/IP | Voltage 12 = 120V 27 = 277V 34 = 347V UN = Universal (120V-277V) | Driver Blank = DMI (0-10V Dimming with 1-100 range) SD2 = Step Dim. Driver* (50-100%) SD3 = Step Dim. Driver* (30-70-100%) *Consult factory for 347V. | Options FZ1 = Fuse (120V) FZ2 = Fuse (277V) EL1 = Emerg. Batt. LED Low (1100-1250 lm) EL2 = Emerg. Batt. LED High (2200-2500 lm) TH = Torx® Head screws (with center pin) RM = Row Mount* TGG = Triple Gasketing (Grid) TGF = Triple Gasketing (Flange) IP66 = IP66 Rated (Overlapping frame only) P442 = NSF P442 Certified (Required for BSL 1-4)** *Joiner bracket supplied. Fixture dimensions subject to change. Consult factory for custom wiring or knockouts. ** Back box required. |
|-------------------------------------|--|---|--|---|---|



New Star Lighting

2225 W Pershing Rd, Chicago, IL 60609
 (773) 847-1400
 www.newstarlighting.com

Specifications and dimensions are subject to change without notice. For additional options and dimensional details, please consult your New Star Lighting representative.

© 2026, New Star Lighting. All rights reserved. Unauthorized duplication or distribution is prohibited.

SPECIFICATIONS

HOUSING: 20-Gauge formed cold rolled steel housing with continuous seam welds. Aluminum and stainless steel options available.

FRAME: Inset or overlapping doorframe available in aluminum, cold rolled steel, and stainless steel. Extruded inset door available in anodized aluminum or white painted aluminum. Frame held to housing via aircraft cable.

LENS: Acrylic or polycarbonate lens options - smooth side out.

LED: Available with Phosphor Converted (PC) 590nm Amber LEDs only or PC Amber and White LEDs. PC Amber LEDs will be installed every other row, unless otherwise specified. White color temperatures available in 3500K, 4000K and 5000K with maximum 3-step MacAdam variation allowance. Narrow Spectrum Amber and other white LED color temperatures are available. Consult factory. Minimum 80 CRI standard with optional minimum 90 CRI available. Minimum 50,000 hours with 70% lumen maintenance in an 25°C temperature ambient environment, compliant with IES LM-80 testing data.

ELECTRICAL: 120-277VAC 50/60Hz, constant current driver (<20% THD, >0.90 PF). Standard 0-10V Dimming with 1-100% range.

FASTENERS: Stainless steel Phillips flathead fasteners with captive cage nuts. Finish to match doorframe.

FINISH: White antimicrobial polyester powder coat finish following multi-stage iron phosphate pretreatment. Stainless steel brushed fixtures are brushed on all exposed room-side surfaces.

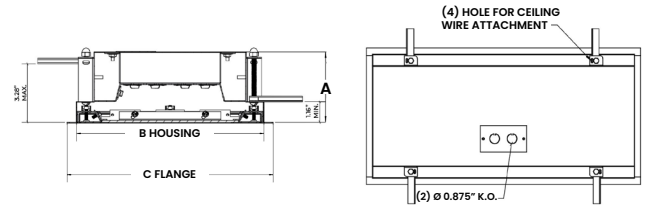
GASKET: Closed cell EPDM and closed cell silicone gaskets prevent air contaminations from entering the fixture. Gasketing seals lens to doorframe and doorframe to housing. Optional triple gasketing, must specify Grid or Flange installation.

INSTALLATION: Universal recessed mounting accommodates Grid and Flange installations. Luminaires will be supplied with adjustable swing arms that can be used for Flange applications or secured to the side of housing for Grid applications. Compatible with 1-1/2" and 15/16" Grid systems. Mounting for custom ceilings available, consult factory.

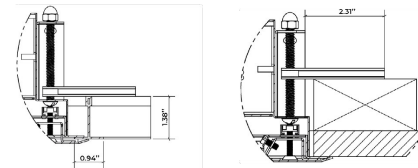
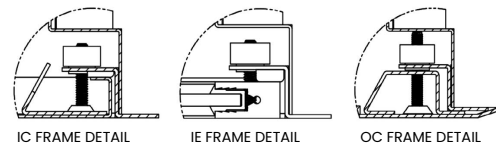
WARRANTY: Limited five (5) year warranty.

LABEL: Fixture is certified to UL standards for Wet Location. Meets standards for ISO3/Class 1 Cleanrooms. IP65 rating per IEC60598, and NSF2 Splash/Non-Food Zone listed. Suitable for Biosafety Labs rated BSL 1 to 4. BSL Levels 3 & 4 require optional NSF P442 rating under options. This product is Made in America and complies with the Buy American Act (BAA) and the Build America, Buy American Act (BABAA).

DIMENSIONAL DATA

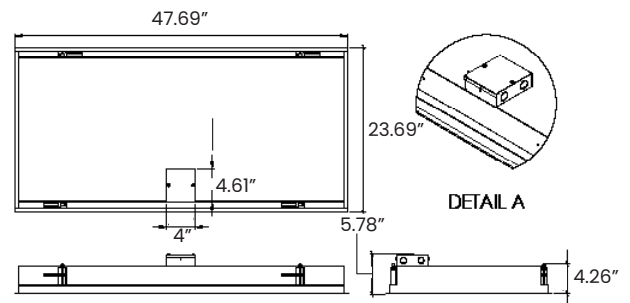


| | A | B | C | REC. CEILING CUT-OUT |
|-------|-------|-----------------|-----------------|----------------------|
| SCR12 | 4.00" | 10.64" X 22.64" | 11.69" X 23.69" | 10.88 X 22.88" |
| SCR14 | 4.00" | 10.64" X 46.64" | 11.69" X 47.69" | 10.88" X 46.88" |
| SCR22 | 4.00" | 22.64" X 22.64" | 23.69" X 23.69" | 22.88" X 22.88" |
| SCR24 | 4.00" | 22.64" X 46.64" | 23.69" X 47.69" | 10.88" X 46.88" |



SCR (W/OC FRAME) RECESSED GRID SCR (W/OC FRAME) RECESSED FLANGE

P442 CERTIFIED OPTIONAL BACK BOX

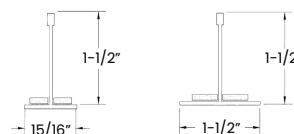


GRID COMPATIBILITY:

SCR14: Spaced at 12" x 48" Centers

SCR22: Spaced at 24" x 24" Centers

SCR24: Spaced at 24" x 48" Centers



New Star Lighting

2225 W Pershing Rd, Chicago, IL 60609
(773) 847-1400
www.newstarlighting.com

Specifications and dimensions are subject to change without notice. For additional options and dimensional details, please consult your New Star Lighting representative.

© 2026, New Star Lighting. All rights reserved. Unauthorized duplication or distribution is prohibited.

PERFORMANCE DATA

*Data is with 80 CRI chip. LEDs are frequently updated therefore values may change without notice.

| MODEL | OUTPUT | TOTAL DELIVERED LUMENS | EFFICACY (lm/w) | INPUT POWER (W) |
|-------|--------|------------------------|-----------------|-----------------|
| SCR12 | A1 | 1225 | 88 | 14 |
| | A2 | 2188 | 88 | 25 |
| | A3 | 3325 | 88 | 38 |
| | A4 | 4375 | 88 | 50 |
| SCR14 | A1 | 2188 | 88 | 25 |
| | A2 | 4375 | 88 | 50 |
| | A3 | 6564 | 88 | 75 |
| | A4 | 8750 | 88 | 100 |
| SCR22 | A2 | 2188 | 88 | 25 |
| | A4 | 4375 | 88 | 50 |
| | A6 | 6300 | 84 | 75 |
| | A8 | 8750 | 88 | 100 |
| SCR24 | A2 | 4375 | 88 | 50 |
| | A4 | 8750 | 88 | 100 |
| | A6 | 12600 | 84 | 150 |
| | A8 | 17500 | 88 | 200 |



New Star Lighting

2225 W Pershing Rd, Chicago, IL 60609
 (773) 847-1400
www.newstarlighting.com

Specifications and dimensions are subject to change without notice. For additional options and dimensional details, please consult your New Star Lighting representative.

© 2026, New Star Lighting. All rights reserved. Unauthorized duplication or distribution is prohibited.

PERFORMANCE DATA CONT.

*Data is with 80 CRI chip. LEDs are frequently updated therefore values may change without notice.

| MODEL | OUTPUT | COLOR TEMP. | LUMENS DELIVERED | EFFICACY (lm/w) | INPUT POWER (W) |
|-------|-----------|-------------|------------------|-----------------|-----------------|
| SCR12 | A1W1 | 3500K | 2875 | 115 | 25 |
| | | 4000K | 3000 | 120 | 25 |
| | | 5000K | 3125 | 125 | 25 |
| | | Amber LED | 2188 | 88 | 25 |
| | A1W2 | 3500K | 5750 | 115 | 50 |
| | | 4000K | 6000 | 120 | 50 |
| | | 5000K | 6250 | 125 | 50 |
| | | Amber LED | 2188 | 88 | 25 |
| | A1W3 | 3500K | 8250 | 110 | 75 |
| | | 4000K | 8625 | 115 | 75 |
| | | 5000K | 9000 | 120 | 75 |
| | | Amber LED | 2188 | 88 | 25 |
| | A2W1 | 3500K | 2875 | 115 | 25 |
| | | 4000K | 3000 | 120 | 25 |
| | | 5000K | 3125 | 125 | 25 |
| | | Amber LED | 4375 | 88 | 50 |
| | A2W2 | 3500K | 5750 | 115 | 50 |
| | | 4000K | 6000 | 120 | 50 |
| | | 5000K | 6250 | 125 | 50 |
| | | Amber LED | 4375 | 88 | 50 |
| A3W1 | 3500K | 2875 | 115 | 25 | |
| | 4000K | 3000 | 120 | 25 | |
| | 5000K | 3125 | 125 | 25 | |
| | Amber LED | 6564 | 88 | 75 | |



New Star Lighting

2225 W Pershing Rd, Chicago, IL 60609
 (773) 847-1400
www.newstarlighting.com

Specifications and dimensions are subject to change without notice. For additional options and dimensional details, please consult your New Star Lighting representative.

© 2026, New Star Lighting. All rights reserved. Unauthorized duplication or distribution is prohibited.

PERFORMANCE DATA CONT.

*Data is with 80 CRI chip. LEDs are frequently updated therefore values may change without notice.

| MODEL | OUTPUT | COLOR TEMP. | LUMENS DELIVERED | EFFICACY (lm/w) | INPUT POWER (W) |
|-------|-----------|-------------|------------------|-----------------|-----------------|
| SCR14 | A1W1 | 3500K | 2875 | 115 | 25 |
| | | 4000K | 3000 | 120 | 25 |
| | | 5000K | 3125 | 125 | 25 |
| | | Amber LED | 2188 | 88 | 25 |
| | A1W2 | 3500K | 5750 | 115 | 50 |
| | | 4000K | 6000 | 120 | 50 |
| | | 5000K | 6250 | 125 | 50 |
| | | Amber LED | 2188 | 88 | 25 |
| | A1W3 | 3500K | 8250 | 110 | 75 |
| | | 4000K | 8625 | 115 | 75 |
| | | 5000K | 9000 | 120 | 75 |
| | | Amber LED | 2188 | 88 | 25 |
| | A2W1 | 3500K | 2875 | 115 | 25 |
| | | 4000K | 3000 | 120 | 25 |
| | | 5000K | 3125 | 125 | 25 |
| | | Amber LED | 4375 | 88 | 50 |
| | A2W2 | 3500K | 5750 | 115 | 50 |
| | | 4000K | 6000 | 120 | 50 |
| | | 5000K | 6250 | 125 | 50 |
| | | Amber LED | 4375 | 88 | 50 |
| A3W1 | 3500K | 2875 | 115 | 25 | |
| | 4000K | 3000 | 120 | 25 | |
| | 5000K | 3125 | 125 | 25 | |
| | Amber LED | 6564 | 88 | 75 | |



New Star Lighting

2225 W Pershing Rd, Chicago, IL 60609
 (773) 847-1400
www.newstarlighting.com

Specifications and dimensions are subject to change without notice. For additional options and dimensional details, please consult your New Star Lighting representative.

© 2026, New Star Lighting. All rights reserved. Unauthorized duplication or distribution is prohibited.

PERFORMANCE DATA CONTINUED

*Data is with 80 CRI chip. LEDs are frequently updated therefore values may change without notice.

| MODEL | OUTPUT | COLOR TEMP. | LUMENS DELIVERED | EFFICACY (lm/w) | INPUT POWER (W) |
|-------|-----------|-------------|------------------|-----------------|-----------------|
| SCR22 | A2W2 | 3500K | 5750 | 115 | 50 |
| | | 4000K | 6000 | 120 | 50 |
| | | 5000K | 6250 | 125 | 50 |
| | | Amber LED | 4200 | 84 | 50 |
| | A2W4 | 3500K | 6000 | 120 | 50 |
| | | 4000K | 6250 | 125 | 50 |
| | | 5000K | 6500 | 130 | 50 |
| | | Amber LED | 2188 | 88 | 25 |
| | A2W6 | 3500K | 8625 | 115 | 75 |
| | | 4000K | 9000 | 120 | 75 |
| | | 5000K | 9375 | 125 | 75 |
| | | Amber LED | 2188 | 88 | 25 |
| | A4W4 | 3500K | 6000 | 120 | 50 |
| | | 4000K | 6250 | 125 | 50 |
| | | 5000K | 6500 | 130 | 50 |
| | | Amber LED | 4375 | 88 | 50 |
| | A4W2 | 3500K | 5750 | 115 | 50 |
| | | 4000K | 6000 | 120 | 50 |
| | | 5000K | 6250 | 125 | 50 |
| | | Amber LED | 4375 | 88 | 50 |
| A6W2 | 3500K | 3000 | 120 | 25 | |
| | 4000K | 3125 | 125 | 25 | |
| | 5000K | 3250 | 130 | 25 | |
| | Amber LED | 6300 | 84 | 75 | |



New Star Lighting

2225 W Pershing Rd, Chicago, IL 60609
 (773) 847-1400
www.newstarlighting.com

Specifications and dimensions are subject to change without notice. For additional options and dimensional details, please consult your New Star Lighting representative.

© 2026, New Star Lighting. All rights reserved. Unauthorized duplication or distribution is prohibited.

PERFORMANCE DATA CONTINUED

*Data is with 80 CRI chip. LEDs are frequently updated therefore values may change without notice.

| MODEL | OUTPUT | COLOR TEMP. | LUMENS DELIVERED | EFFICACY (lm/w) | INPUT POWER (W) |
|-------|-----------|-------------|------------------|-----------------|-----------------|
| SCR24 | A2W2 | 3500K | 6000 | 120 | 50 |
| | | 4000K | 6250 | 125 | 50 |
| | | 5000K | 6500 | 130 | 50 |
| | | Amber LED | 4375 | 88 | 50 |
| | A2W4 | 3500K | 12000 | 120 | 100 |
| | | 4000K | 12500 | 125 | 100 |
| | | 5000K | 13000 | 130 | 100 |
| | | Amber LED | 4375 | 88 | 50 |
| | A2W6 | 3500K | 17250 | 115 | 150 |
| | | 4000K | 18000 | 120 | 150 |
| | | 5000K | 18750 | 125 | 150 |
| | | Amber LED | 4375 | 88 | 50 |
| | A4W4 | 3500K | 12000 | 120 | 100 |
| | | 4000K | 12500 | 125 | 100 |
| | | 5000K | 13000 | 130 | 100 |
| | | Amber LED | 8750 | 88 | 100 |
| | A4W2 | 3500K | 6000 | 120 | 50 |
| | | 4000K | 6250 | 125 | 50 |
| | | 5000K | 6500 | 130 | 50 |
| | | Amber LED | 8750 | 88 | 0100 |
| A6W2 | 3500K | 6000 | 120 | 50 | |
| | 4000K | 6250 | 125 | 50 | |
| | 5000K | 6500 | 130 | 50 | |
| | Amber LED | 12600 | 84 | 150 | |



New Star Lighting

2225 W Pershing Rd, Chicago, IL 60609
 (773) 847-1400
www.newstarlighting.com

Specifications and dimensions are subject to change without notice. For additional options and dimensional details, please consult your New Star Lighting representative.

© 2026, New Star Lighting. All rights reserved. Unauthorized duplication or distribution is prohibited.