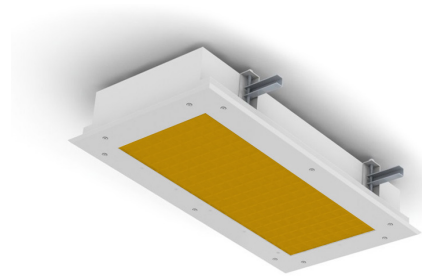


PROJECT: \_\_\_\_\_  
 TYPE: \_\_\_\_\_  
 PRODUCT: \_\_\_\_\_  
 APPROVED BY: \_\_\_\_\_



SCR Amber Series

## PRODUCT FEATURES

- Intended for Light-Sensitive applications in Semiconductor Cleanrooms, Hospitals, Hi-Tech Manufacturing Laboratories, Pharmaceutical, and more
- Surgical troffer available in a 1x2, 1x4, 2x2, 2x4
- Recessed ceiling mount; grid or flange. Compatible with 1.5" or 15/16" Grid Ceilings
- Fixture is certified to UL standards for Wet Location ISO Class 3 (Fed Std. 209E/ Class 1), Certified IP65 per IEC60598 and NSF2 Splash/Non-Food Zone ratings. Suitable for Biosafety Labs rated BSL 1 to 4. BSL Levels 3 & 4 require optional NSF P442 rating under options
- This product is Made in America and complies with the Buy American Act (BAA) and the Build America, Buy American Act (BABAA)



## ORDERING INFORMATION

Example: SCR22-HC/OC-A2W235-90C-1C-A-UN

SC	R			/			
Series	Mounting R = Recessed (Grid/Flange)	Nominal Size* 12 = 1x2 14 = 1x4 22 = 2x2 24 = 2x4  *Nominal size. Dimensional data on Page 2.	Housing HC = 20Ga. CRS Painted HS = 20Ga. 304 SS Brushed HP = 20Ga. 304 SS Painted HA = 16Ga. Alum. Painted	Frame INSET (I) or OVERLAP (O) OC = 18Ga. CRS Painted OS = 18Ga. 304 SS Brushed OP = 18Ga. 304 SS Painted OA = 16Ga. Alum. Painted IE = Extruded Alum.** IP = Extruded Alum. Painted** IC = 20Ga. CRS Painted* IA = 16Ga. Alum. Painted* IB = 20Ga. 304 SS Brushed* IS = 20Ga. 304 SS Painted*  *Inset frames (I) suitable for Biosafety Labs (BSL) rated 1-2 only. **Not IP65. N/A with .187 Prismatic Poly. Lens. Inset frames (I) suitable for Biosafety Labs (BSL) rated 1-2 only.	Configuration SCR12-14: AIW1 = 1 Amber/1 White AIW2 = 1 Amber/2 White AIW3 = 1 Amber/3 White A2W1 = 2 Amber/1 White A2W2 = 2 Amber/2 White A3W1 = 3 Amber/1 White A1 = 1 Amber LED Row A2 = 2 Amber LED Rows A3 = 3 Amber LED Rows A4 = 4 Amber LED Row	SCR22-24: A2W2 = 2 Amber/2 White A2W4 = 2 Amber/4 White A2W6 = 2 Amber/6 White A4W4 = 4 Amber/4 White A4W2 = 4 Amber/2 White A6W2 = 6 Amber/2 White A2 = 2 Amber LED Row A4 = 4 Amber LED Rows A6 = 6 Amber LED Rows A8 = 8 Amber LED Row	White LED Color Temp. blank = No White LEDs 35 = 3500K 40 = 4000K 50 = 5000K

CRI 80C = 80 CRI 90C = 90 CRI	Circuits 1C = 1 Circuit 2C = 2 Circuits*  *Allows for Inboard/ Outboard control.	Lens A = .125 Prismatic Acrylic B = .125 Prismatic Poly. C = .156 Prismatic Poly. D = .187 Prismatic Poly.* E = .125 White Frost Poly. G = .140 Prismatic DR Acrylic** H = .125 White Frost Acrylic  **Cannot be used with IE/IP	Voltage 12 = 120V 27 = 277V 34 = 347V UN = Universal (120V-277V)	Driver Blank = DMI (0-10V Dimming with 1-100 range) SD2 = Step Dim. Driver* (50-100%) SD3 = Step Dim. Driver* (30-70-100%)  *Consult factory for 347V.	Options FZ1 = Fuse (120V) FZ2 = Fuse (277V) EL1 = Emerg. Batt. LED Low (1100-1250 lm) EL2 = Emerg. Batt. LED High (2200-2500 lm) RF = (RIF) Radio Interference Filter TH = Torx® Head screws (with center pin) RM = Row Mount* TGG = Triple Gasketing (Grid) TGF = Triple Gasketing (Flange) IP66 = IP66 Rated (Overlapping frame only) P442 = NSF P442 Certified (Required for BSL 1-4)**  *Joiner bracket supplied. Fixture dimensions subject to change. Consult factory for custom wiring or knockouts. ** Back box required.
-------------------------------------	--	---	--	---	---



**New Star Lighting**

2225 W Pershing Rd, Chicago, IL 60609  
 (773) 847-1400  
 www.newstarlighting.com

Specifications and dimensions are subject to change without notice. For additional options and dimensional details, please consult your New Star Lighting representative.

© 2026, New Star Lighting. All rights reserved. Unauthorized duplication or distribution is prohibited.

## SPECIFICATIONS

**HOUSING:** 20-Gauge formed cold rolled steel housing with continuous seam welds. Aluminum and stainless steel options available.

**FRAME:** Inset or overlapping doorframe available in aluminum, cold rolled steel, and stainless steel. Extruded inset door available in anodized aluminum or white painted aluminum. Frame held to housing via aircraft cable.

**LENS:** Acrylic or polycarbonate lens options - smooth side out.

**LED:** Available with Phosphor Converted (PC) 590nm Amber LEDs only or PC Amber and White LEDs. PC Amber LEDs will be installed every other row, unless otherwise specified. White color temperatures available in 3500K, 4000K and 5000K with maximum 3-step MacAdam variation allowance. Narrow Spectrum Amber and other white LED color temperatures are available. Consult factory. Minimum 80 CRI standard with optional minimum 90 CRI available. Minimum 50,000 hours with 70% lumen maintenance in an 25°C temperature ambient environment, compliant with IES LM-80 testing data.

**ELECTRICAL:** 120-277VAC 50/60Hz, constant current driver (<20% THD, >0.90 PF). Standard 0-10V Dimming with 1-100% range.

**FASTENERS:** Stainless steel Phillips flathead fasteners with captive cage nuts. Finish to match doorframe.

**FINISH:** White antimicrobial polyester powder coat finish following multi-stage iron phosphate pretreatment. Stainless steel brushed fixtures are brushed on all exposed room-side surfaces.

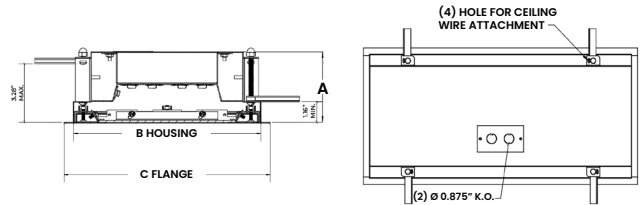
**GASKET:** Closed cell EPDM and closed cell silicone gaskets prevent air contaminations from entering the fixture. Gasketing seals lens to doorframe and doorframe to housing. Optional triple gasketing, must specify Grid or Flange installation.

**INSTALLATION:** Universal recessed mounting accommodates Grid and Flange installations. Luminaires will be supplied with adjustable swing arms that can be used for Flange applications or secured to the side of housing for Grid applications. Compatible with 1-1/2" and 15/16" Grid systems. Mounting for custom ceilings available, consult factory.

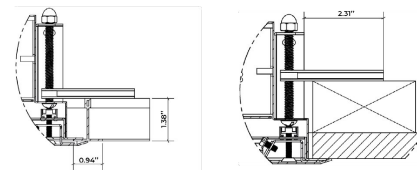
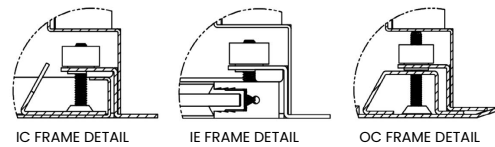
**WARRANTY:** Limited five (5) year warranty.

**LABEL:** Fixture is certified to UL standards for Wet Location. Meets standards for ISO3/Class 1 Cleanrooms. IP65 rating per IEC60598, and NSF2 Splash/Non-Food Zone listed. Suitable for Biosafety Labs rated BSL 1 to 4. BSL Levels 3 & 4 require optional NSF P442 rating under options. This product is Made in America and complies with the Buy American Act (BAA) and the Build America, Buy American Act (BABAA).

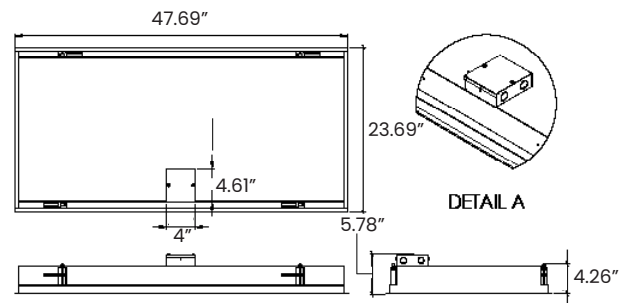
## DIMENSIONAL DATA



	A	B	C	REC. CEILING CUT-OUT
SCR12	4.00"	10.64" X 22.64"	11.69" X 23.69"	10.88 X 22.88"
SCR14	4.00"	10.64" X 46.64"	11.69" X 47.69"	10.88" X 46.88"
SCR22	4.00"	22.64" X 22.64"	23.69" X 23.69"	22.88" X 22.88"
SCR24	4.00"	22.64" X 46.64"	23.69" X 47.69"	10.88" X 46.88"

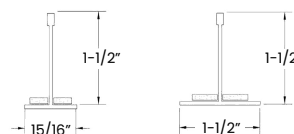


## P442 CERTIFIED OPTIONAL BACK BOX



### GRID COMPATIBILITY:

- SCR14: Spaced at 12" x 48" Centers
- SCR22: Spaced at 24" x 24" Centers
- SCR24: Spaced at 24" x 48" Centers



**New Star Lighting**

2225 W Pershing Rd, Chicago, IL 60609  
(773) 847-1400  
www.newstarlighting.com

Specifications and dimensions are subject to change without notice. For additional options and dimensional details, please consult your New Star Lighting representative.

© 2026, New Star Lighting. All rights reserved. Unauthorized duplication or distribution is prohibited.

## PERFORMANCE DATA

\*Data is with 80 CRI chip. LEDs are frequently updated therefore values may change without notice.

MODEL	OUTPUT	TOTAL DELIVERED LUMENS	EFFICACY (lm/w)	INPUT POWER (W)
SCR12	A1	1225	88	14
	A2	2188	88	25
	A3	3325	88	38
	A4	4375	88	50
SCR14	A1	2188	88	25
	A2	4375	88	50
	A3	6564	88	75
	A4	8750	88	100
SCR22	A2	2188	88	25
	A4	4375	88	50
	A6	6300	84	75
	A8	8750	88	100
SCR24	A2	4375	88	50
	A4	8750	88	100
	A6	12600	84	150
	A8	17500	88	200



**New Star Lighting**

2225 W Pershing Rd, Chicago, IL 60609  
 (773) 847-1400  
[www.newstarlighting.com](http://www.newstarlighting.com)

Specifications and dimensions are subject to change without notice. For additional options and dimensional details, please consult your New Star Lighting representative.

© 2026, New Star Lighting. All rights reserved. Unauthorized duplication or distribution is prohibited.

## PERFORMANCE DATA CONT.

\*Data is with 80 CRI chip. LEDs are frequently updated therefore values may change without notice.

MODEL	OUTPUT	COLOR TEMP.	LUMENS DELIVERED	EFFICACY (lm/w)	INPUT POWER (W)
SCR12	A1W1	3500K	2875	115	25
		4000K	3000	120	25
		5000K	3125	125	25
		Amber LED	2188	88	25
	A1W2	3500K	5750	115	50
		4000K	6000	120	50
		5000K	6250	125	50
		Amber LED	2188	88	25
	A1W3	3500K	8250	110	75
		4000K	8625	115	75
		5000K	9000	120	75
		Amber LED	2188	88	25
	A2W1	3500K	2875	115	25
		4000K	3000	120	25
		5000K	3125	125	25
		Amber LED	4375	88	50
	A2W2	3500K	5750	115	50
		4000K	6000	120	50
		5000K	6250	125	50
		Amber LED	4375	88	50
A3W1	3500K	2875	115	25	
	4000K	3000	120	25	
	5000K	3125	125	25	
	Amber LED	6564	88	75	



**New Star Lighting**

2225 W Pershing Rd, Chicago, IL 60609  
 (773) 847-1400  
[www.newstarlighting.com](http://www.newstarlighting.com)

Specifications and dimensions are subject to change without notice. For additional options and dimensional details, please consult your New Star Lighting representative.

© 2026, New Star Lighting. All rights reserved. Unauthorized duplication or distribution is prohibited.

## PERFORMANCE DATA CONT.

\*Data is with 80 CRI chip. LEDs are frequently updated therefore values may change without notice.

MODEL	OUTPUT	COLOR TEMP.	LUMENS DELIVERED	EFFICACY (lm/w)	INPUT POWER (W)
SCR14	A1W1	3500K	2875	115	25
		4000K	3000	120	25
		5000K	3125	125	25
		Amber LED	2188	88	25
	A1W2	3500K	5750	115	50
		4000K	6000	120	50
		5000K	6250	125	50
		Amber LED	2188	88	25
	A1W3	3500K	8250	110	75
		4000K	8625	115	75
		5000K	9000	120	75
		Amber LED	2188	88	25
	A2W1	3500K	2875	115	25
		4000K	3000	120	25
		5000K	3125	125	25
		Amber LED	4375	88	50
	A2W2	3500K	5750	115	50
		4000K	6000	120	50
		5000K	6250	125	50
		Amber LED	4375	88	50
A3W1	3500K	2875	115	25	
	4000K	3000	120	25	
	5000K	3125	125	25	
	Amber LED	6564	88	75	



**New Star Lighting**

2225 W Pershing Rd, Chicago, IL 60609  
 (773) 847-1400  
[www.newstarlighting.com](http://www.newstarlighting.com)

Specifications and dimensions are subject to change without notice. For additional options and dimensional details, please consult your New Star Lighting representative.

© 2026, New Star Lighting. All rights reserved. Unauthorized duplication or distribution is prohibited.

## PERFORMANCE DATA CONTINUED

\*Data is with 80 CRI chip. LEDs are frequently updated therefore values may change without notice.

MODEL	OUTPUT	COLOR TEMP.	LUMENS DELIVERED	EFFICACY (lm/w)	INPUT POWER (W)
SCR22	A2W2	3500K	5750	115	50
		4000K	6000	120	50
		5000K	6250	125	50
		Amber LED	4200	84	50
	A2W4	3500K	6000	120	50
		4000K	6250	125	50
		5000K	6500	130	50
		Amber LED	2188	88	25
	A2W6	3500K	8625	115	75
		4000K	9000	120	75
		5000K	9375	125	75
		Amber LED	2188	88	25
	A4W4	3500K	6000	120	50
		4000K	6250	125	50
		5000K	6500	130	50
		Amber LED	4375	88	50
	A4W2	3500K	5750	115	50
		4000K	6000	120	50
		5000K	6250	125	50
		Amber LED	4375	88	50
A6W2	3500K	3000	120	25	
	4000K	3125	125	25	
	5000K	3250	130	25	
	Amber LED	6300	84	75	



**New Star Lighting**

2225 W Pershing Rd, Chicago, IL 60609  
 (773) 847-1400  
[www.newstarlighting.com](http://www.newstarlighting.com)

Specifications and dimensions are subject to change without notice. For additional options and dimensional details, please consult your New Star Lighting representative.

© 2026, New Star Lighting. All rights reserved. Unauthorized duplication or distribution is prohibited.

## PERFORMANCE DATA CONTINUED

\*Data is with 80 CRI chip. LEDs are frequently updated therefore values may change without notice.

MODEL	OUTPUT	COLOR TEMP.	LUMENS DELIVERED	EFFICACY (lm/w)	INPUT POWER (W)
SCR24	A2W2	3500K	6000	120	50
		4000K	6250	125	50
		5000K	6500	130	50
		Amber LED	4375	88	50
	A2W4	3500K	12000	120	100
		4000K	12500	125	100
		5000K	13000	130	100
		Amber LED	4375	88	50
	A2W6	3500K	17250	115	150
		4000K	18000	120	150
		5000K	18750	125	150
		Amber LED	4375	88	50
	A4W4	3500K	12000	120	100
		4000K	12500	125	100
		5000K	13000	130	100
		Amber LED	8750	88	100
	A4W2	3500K	6000	120	50
		4000K	6250	125	50
		5000K	6500	130	50
		Amber LED	8750	88	0100
A6W2	3500K	6000	120	50	
	4000K	6250	125	50	
	5000K	6500	130	50	
	Amber LED	12600	84	150	



**New Star Lighting**

2225 W Pershing Rd, Chicago, IL 60609  
 (773) 847-1400  
[www.newstarlighting.com](http://www.newstarlighting.com)

Specifications and dimensions are subject to change without notice. For additional options and dimensional details, please consult your New Star Lighting representative.

© 2026, New Star Lighting. All rights reserved. Unauthorized duplication or distribution is prohibited.