

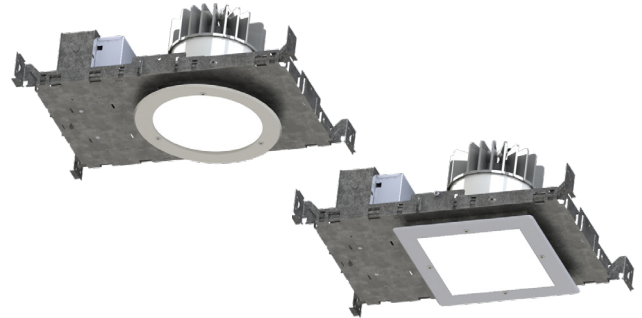
# HIGH ABUSE DOWNLIGHT SERIES



PROJECT: \_\_\_\_\_  
 TYPE: \_\_\_\_\_  
 PRODUCT: \_\_\_\_\_  
 APPROVED BY: \_\_\_\_\_

## PRODUCT FEATURES

- Intended for vandal-prone applications including Public Areas, Schools, Locker Rooms, Corridors, Commercial Settings, and more
- 4" and 6" sealed recessed downlight, round or square aperture
- Suitable for wet location installations, IK10 listed per IEC60068-2-75: 2014, and IP65 rated (from the room-side) per IEC60598
- Variety of wattages and lumen packages, up to 3750lm at 43W (6")
- This product is Made in America and complies with Buy American Act (BAA)
- The DCDL-HA Series is covered by the New Star Promise



DCDL-HA SERIES

## HOUSING ORDERING INFORMATION

Example: DCDL-HA-4R-LW-UN-DM1

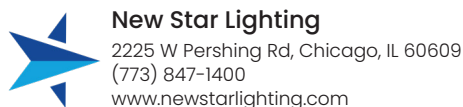


DCDL	HA						
<b>Series</b>	<b>HA = High Abuse</b>	<b>Aperture</b> 4 = 4 inch 6 = 6 inch	<b>Shape</b> R = Round S = Square	<b>Lumen Output*</b> LW = Low SD = Standard MD = Medium HG = High CL = Custom Lumens**  *Subject to change. Performance data on page 3. **Must be specified at time of quote. Must not exceed fixture maximum output.	<b>Voltage</b> 12 = 120V 27 = 277V UN = Universal (120V-277V)	<b>Driver Type</b> DM1 = 0-10V Dimming with 1-100% range DMT = 0-10V & TRIAC/ELV*  *Must specify with 120V.  <b>Tunable White Driver*</b> TW0 = 2 CHANNEL 0-10V TWD = 2 CHANNEL DALI8  *Tunable White Driver requires choice of TW1 or TW2 in Color Temp column.	<b>Options</b> FZ1 = Fuse (120V) FZ2 = Fuse (277V) IC = IC Rated Housing* EM = Emerg. Battery (Remote)** W = Wing Bracket CCEA = Chicago Plenum Compliant  *Max 23W. **If stored, batteries should be fully recharged every six months and kept between 0°C-25°C to maintain optimal battery capacity.

## TRIM ORDERING INFORMATION

Example: DCDL-HA-4R-30-80C-F-A

DCDL	HA					F	
<b>Series</b>	<b>HA = High Abuse</b>	<b>Aperture</b> 4 = 4 inch 6 = 6 inch	<b>Shape</b> R = Round S = Square	<b>Color Temp.</b> 30 = 3000K 35 = 3500K 40 = 4000K 50 = 5000K BLU = Blue (470nm)  <b>Tunable White*</b> TW1 = 2700K to 5000K TW2 = 2700K to 6500K  *Must specify Tunable White Driver.	<b>CRI</b> 80C = 80 CRI 90C = 90 CRI	<b>Trim</b> F = Flange DF = Dead Front Flange	<b>Trim Finish</b> A = .080 Alum. Painted* B = 18Ga. CRS Painted C = 18Ga. 304 Brushed D = 18 Ga. 304 SS Painted  *Antimicrobial standard



Specifications and dimensions are subject to change without notice. For additional options and dimensional details, please consult your New Star Lighting representative.

© 2026, New Star Lighting. All rights reserved. Unauthorized duplication or distribution is prohibited.

## SPECIFICATIONS

**HEAT SINK:** Custom diecast aluminum heat sink design for maximum thermal dissipation.

**FRAME-IN KIT:** 20-gauge die-formed, galvanized steel. Vertically adjustable collar accommodates ceiling thicknesses up to 1.25", adjustable post-installation. Standard telescopic hanger bars designed for bidirectional installation with wood or steel joists and T-grid ceiling systems spaced up to 24" on center. Quick-access junction box accessible post-installation from above and below ceiling. Includes (7) 1/2" knock-outs to allow straight conduit runs.

**TRIM:** IP-rated trim/light engine incorporates the heat sink, LED module, optics and lower trim. Flush lens trim secured with Phillips fasteners. Closed-cell gasketing at ceiling flange.

**OPTICAL:** Round or square aperture with 1/8" clear impact-resistant acrylic or polycarbonate lens.

**ELECTRICAL:** LED source available in multiple CCT and CRI combinations with a maximum 3-step MacAdam variation allowance. 120-277VAC, 50/60Hz electrical input with serviceable constant current driver (<20% THD, >0.90 PF). Minimum 85% driver efficiency. Standard 0-10V dimming with 1-100% range; 0.2mA maximum source current. Optional eldoLED ECoDrive DALI-2/LEDcode2 driver with 1-100% range.

**TUNABLE DRIVER OPTIONS:**

**TWO** = 2 CHANNEL 0-10V one channel for brightness, one channel for CCT

**TWD** = 2 CHANNEL DALI8 one channel for brightness, one channel for CCT

**FINISH:** White polyester powder coat finish following multi-stage iron phosphate pretreatment.

**INSTALLATION:** Recessed drywall and grid installation. Frame adjustable to ceiling thickness 0.5" to 1.25".

**WARRANTY:** New Star Promise.

**LABEL:** Fixture is certified to UL standards by Intertek Testing Laboratory for non-IC and wet location installations. IP65 Rating per IEC60598. Meets ISO3/Class 1 Cleanroom Standards. Certified for NSF2 Splash Zone/ Non-Food Zones. This product is Made in America and complies with Buy American Act (BAA).



The High Abuse Downlight Series is covered by our New Star Promise.

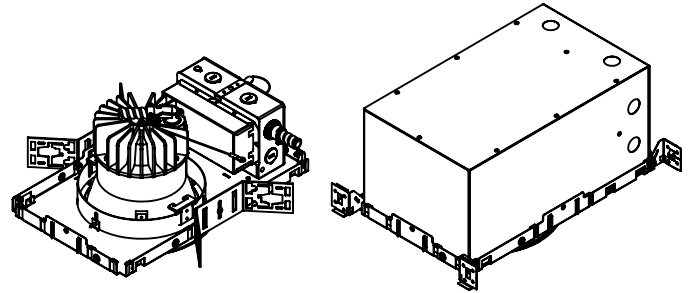
Our promise means we will repair or replace any of our High Abuse or Vandal-Resistant architectural luminaires when installed according to our instructions for the life of the original installation if the fixture should fail due to physical abuse\*.

\*Damage caused by gunfire and chemical reactions is not covered by the New Star Promise

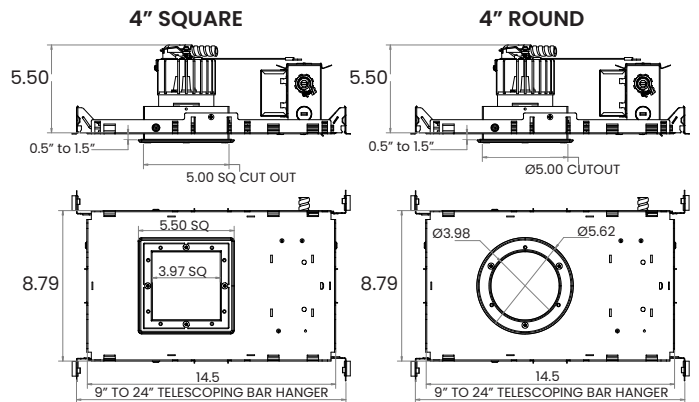
## DIMENSIONAL DATA

### NON-IC CONSTRUCTION

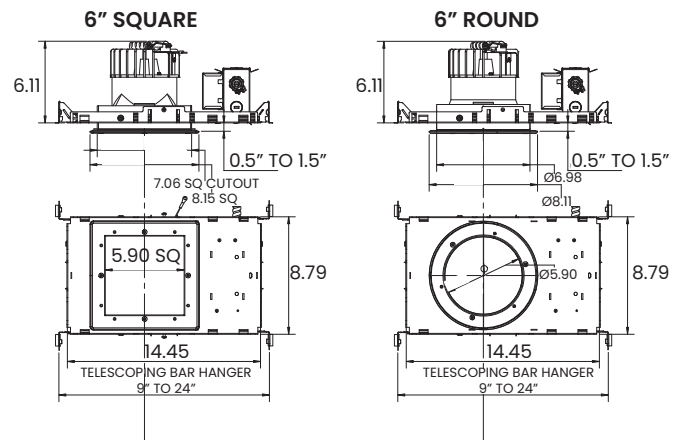
### IC CONSTRUCTION



### 4" DOWNLIGHT



### 6" DOWNLIGHT



# HIGH ABUSE DOWNLIGHT SERIES



## PERFORMANCE DATA\*

\*Data based on 80 CRI and 4000K.

MODEL	SHAPE	OUTPUT	LUMENS DELIVERED	EFFICACY (lm/w)	INPUT POWER (W)
DCDL-HA-4	R = Round	LW = Low	1087	73	14
		SD = Standard	1375	74	18
		MD = Medium	1580	74	21
		HG = High	1935	69	28
	S = Square	LW = Low	1128	75	14
		SD = Standard	1346	76	18
		MD = Medium	1515	76	21
		HG = High	1907	76	28
DCDL-HA-6	R = Round	LW = Low	1271	92	14
		SD = Standard	1886	93	20
		MD = Medium	2479	92	27
		HG = High	3750	86	44
	S = Square	LW = Low	1178	85	14
		SD = Standard	1748	86	20
		MD = Medium	2296	84	27
		HG = High	3506	80	43

	90 CRI	3000K	3500K
MULTIPLIER	0.84	0.95	0.98



**New Star Lighting**

2225 W Pershing Rd, Chicago, IL 60609  
(773) 847-1400  
www.newstarlighting.com

Specifications and dimensions are subject to change without notice. For additional options and dimensional details, please consult your New Star Lighting representative.

© 2026, New Star Lighting. All rights reserved. Unauthorized duplication or distribution is prohibited.