

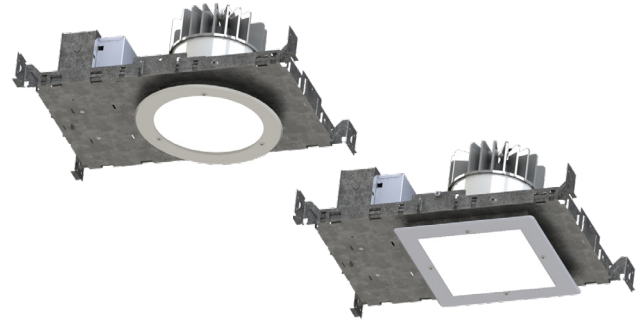
# STARCLEAN™ CLEANROOM & LABORATORY DOWNLIGHT SERIES



PROJECT: \_\_\_\_\_  
 TYPE: \_\_\_\_\_  
 PRODUCT: \_\_\_\_\_  
 APPROVED BY: \_\_\_\_\_

## PRODUCT FEATURES

- Intended for Cleanroom and laboratory environments requiring a ISO Level 3 solutions
- 4" and 6" sealed recessed downlight, round or square aperture options
- Variety of wattages and lumen packages, up to 4000lm at 43W (6")
- Suitable for wet location installations, IP65 Rated (from the room-side) per IEC60598 and NSF2 Splash/Non-Food Zone listed. ISO Class 3 (Fed Std. 209E/ Class 1). Optional IC-Rated housing per UL 1598 Independently tested and certified to meet the MIL Spec 461G Fixed Navy/Air Force for Radiated and Conducted emissions
- This product is Made in America and complies with Buy American Act (BAA).



CCDL-SC SERIES

## HOUSING ORDERING INFORMATION

Example: CCDL-SC-4R-SD-UN-FZ1



CCDL	SC						
Series	StarClean™	<b>Aperture</b> 4 = 4 inch 6 = 6 inch	<b>Shape</b> R = Round S = Square	<b>Lumen Output*</b> LW = Low SD = Standard MD = Medium HG = High CL = Custom Lumens**  *Subject to change. Performance data on page 3 **Must be specified at time of quote. Must not exceed fixture maximum output.	<b>Voltage</b> 12 = 120V 27 = 277V UN = Universal (120V-277V)	<b>Driver Type</b> DM1 = 0-10V Dimming with 1-100% range DMT = 0-10V & TRIAC/ELV*  *Must specify with 120V.  <b>Tunable White Driver*</b> TW0 = 2 CHANNEL 0-10V TWD = 2 CHANNEL DALI8  *Tunable White Driver requires choice of TW1 or TW2 in Color Temp column.	<b>Options</b> FZ1 = Fuse (120V) FZ2 = Fuse (277V) IC = IC Rated Housing* EM = Emerg. Battery (Remote)** W = Wing Bracket CCEA = Chicago Plenum Compliant  *Max 23W. **If stored, batteries should be fully recharged every six months and kept between 0°C-25°C to maintain optimal battery capacity.

## TRIM ORDERING INFORMATION

Example: CCDL-SC-4R-30-90C-F-A

CCDL	SC					PC		
Series	SC = StarClean™	<b>Aperture</b> 4 = 4 inch 6 = 6 inch	<b>Shape</b> R = Round S = Square	<b>Color Temp.</b> 30 = 3000K 35 = 3500K 40 = 4000K 50 = 5000K  <b>Tunable White*</b> TW1 = 2700K to 5000K TW2 = 2700K to 6500K  *Must specify Tunable White Driver.	<b>CRI</b> 80C = 80 CRI 90C = 90 CRI*  *N/A with 5000K. 90 CRI standard for Tunable White.	<b>Flush Lens</b> PC = 0.125 Polycarbonate	<b>Trim</b> F = Flange DF = Dead Front Flange	<b>Trim Finish</b> A = .080 Alum. Painted* B = 18Ga. CRS Painted C = 18Ga. 304 Brushed D = 18 Ga. SS Painted  *Antimicrobial standard

**New Star Lighting**  
 2225 W Pershing Rd, Chicago, IL 60609  
 (773) 847-1400  
 www.newstarlighting.com

Specifications and dimensions are subject to change without notice. For additional options and dimensional details, please consult your New Star Lighting representative.

## SPECIFICATIONS

**HEAT SINK:** Custom diecast aluminum heat sink design for maximum thermal dissipation.

**FRAME-IN KIT:** 20-gauge die-formed, galvanized steel. Vertically adjustable collar accommodates ceiling thicknesses up to 1.25", adjustable post-installation. Telescopic hanger bars come as standard can be installed in either direction (wing bracket can be ordered as option) for installation with wood and steel frame joists and T-grid ceiling systems spaced up to 24" on center.

**TRIM:** IP-rated trim/light engine incorporates the heat sink, LED module, optics and lower trim. Flush lens trim secured with Phillips fasteners. Closed-cell gasketing at ceiling flange.

**OPTICAL:** Round or square aperture with 1/8" clear impact-resistant acrylic or polycarbonate lens.

**ELECTRICAL:** LED source available in multiple CCT and CRI combinations with a maximum 3-step MacAdam variation allowance. 120-277VAC, 50/60Hz electrical input with serviceable constant current driver (<20% THD, >0.90 PF). Minimum 85% driver efficiency. Standard 0-10V dimming with 1-100% range; 0.2mA maximum source current. Optional eldoLED ECODErive DALI-2/LEDcode2 driver with 1-100% range.

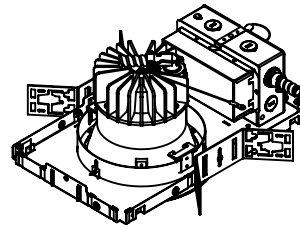
**INSTALLATION:** Recessed drywall and grid installation. Frame adjustable to ceiling thickness 0.5" to 1.25".

**WARRANTY:** 5 Year Warranty.

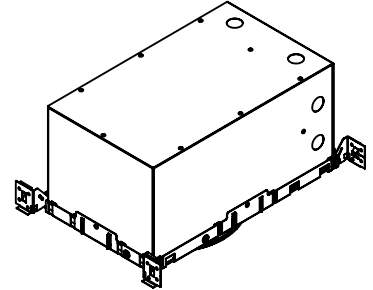
**LABEL:** Fixture is certified to UL standards by Intertek Testing Laboratory for non-IC and wet location installations. IP65 Rating (from the room-side) per IEC60598. Meets ISO3/Class 1 Cleanroom Standards. Certified for NSF2 Splash Zone/ Non-Food Zones. This product is Made in America and complies with Buy American Act (BAA).

## DIMENSIONAL DATA

NON-IC CONSTRUCTION

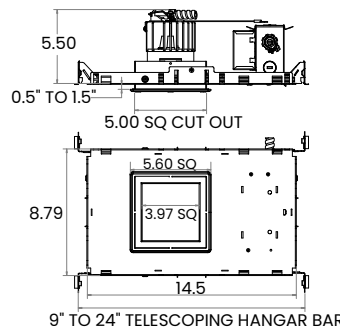


IC CONSTRUCTION

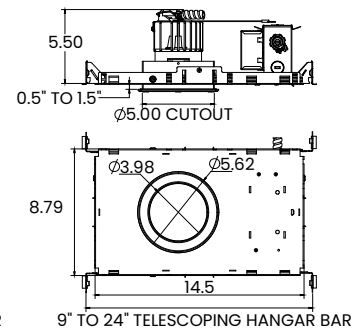


### 4" DOWNLIGHT

4" SQUARE

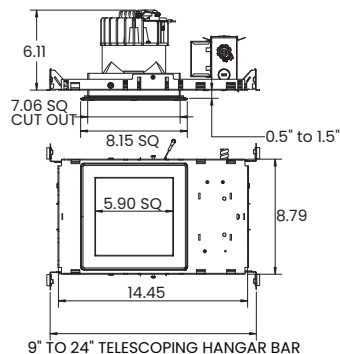


4" ROUND

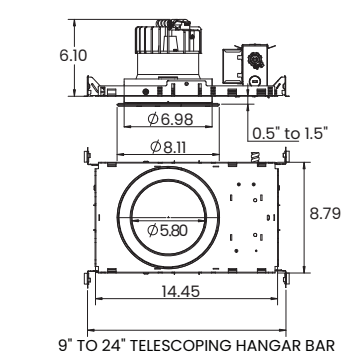


### 6" DOWNLIGHT

6" SQUARE



6" ROUND



**PERFORMANCE DATA**

\*Data is with 80 CRI chip at 4000K. 6IN Downlight Wide beam, 1500lm Engine, 115lm/W at 18.75W

MODEL	SHAPE	OUTPUT	LUMENS DELIVERED	EFFICACY (lm/W)	INPUT POWER (W)
CCDL-SC-4	R = Round	LW = Low	1260	84	14
		SD = Standard	1450	83	18
		MD = Medium	1650	81	21
		HG = High	2172	77	28
	S = Square	LW = Low	1257	84	14
		SD = Standard	1525	84	18
		MD = Medium	1750	83	21
		HG = High	2236	79	28
CCDL-SC-6	R = Round	LW = Low	1405	102	14
		SD = Standard	2081	103	20
		MD = Medium	2736	101	27
		HG = High	4181	96	44
	S = Square	LW = Low	1392	101	14
		SD = Standard	2070	102	20
		MD = Medium	2760	102	27
		HG = High	3990	96	42



**New Star Lighting**

2225 W Pershing Rd, Chicago, IL 60609  
 (773) 847-1400  
[www.newstarlighting.com](http://www.newstarlighting.com)

Specifications and dimensions are subject to change without notice. For additional options and dimensional details, please consult your New Star Lighting representative.

© 2026, New Star Lighting. All rights reserved. Unauthorized duplication or distribution is prohibited.