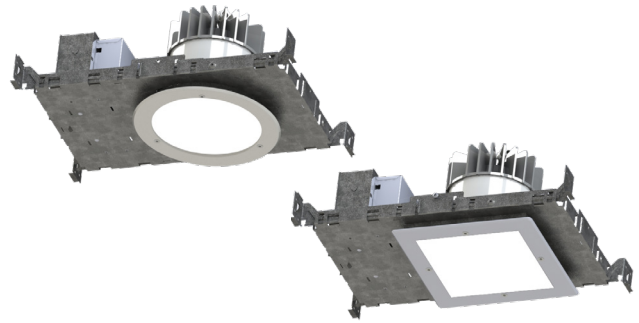


PROJECT: \_\_\_\_\_  
 TYPE: \_\_\_\_\_  
 PRODUCT: \_\_\_\_\_  
 APPROVED BY: \_\_\_\_\_



SCDL

## PRODUCT FEATURES

- Intended for Cleanrooms, Vivariums, Laboratories, Pharmaceuticals, and more
- 4" and 6" sealed recessed downlight, round or square aperture options
- Suitable for non-IC and wet location installations (IC Rated housing an option), and IP65 rated per IEC60598, NSF2 Splash Zone/Food Zone and Splash Zone/Non-Food Zone rated. Meets FED-STD-209E/Class 1 (ISO 3) Cleanrooms.
- Variety of wattages and lumen packages, up to 4000lm at 43W (6")
- This product is Made in America and complies with Buy American Act (BAA) and the Build America, Buy America Act



## ORDERING INFORMATION

Example: SCDL-4-R-1000LM-30-90C-A-C-PC-UN-DMI

SCDL						
<b>Series</b>	<b>Aperture</b> 4 = 4 inch 6 = 6 inch	<b>Shape</b> R = Round S = Square	<b>Lumen Output*</b> LW = Low MD = Medium HG = High  Subject to change. Performance data on page 3.	<b>Color Temp.</b> 30 = 3000K 35 = 3500K 40 = 4000K 50 = 5000K RGBW = RGB + 4000K AMB = Amber (585-595nm) BLU = Blue (470nm) RED = Red (630nm)	<b>CRI</b> 80C = 80 CRI 90C = 90 CRI	<b>Trim Finish</b> A = .080 Alum. Painted B = 18Ga. CRS Painted C = 18Ga. 304 Brushed* D = 18 Ga. SS Painted*  *Additional fees may apply. Consult factory for details.

PC				
<b>Trim Finish</b> A = .080 Alum. Painted B = 18Ga. CRS Painted C = 18Ga. 304 Brushed* D = 18 Ga. SS Painted*  *Additional fees may apply. Consult factory for details.	<b>Lens</b> PC = .0125 Polycarbonate	<b>Voltage</b> 12 = 120V 27 = 277V 34 = 347V UN = Universal (120-277V)	<b>Driver Type</b> DMI = 0-10V Dimming with 1-100% range DMT = 0-10V & TRIAC/ELV  *120V if requesting DMT option	<b>Options</b> FZ1 = Fuse (120V) FZ2 = Fuse (277V) EM = Emerg. Battery (Remote)* W = Wing Bracket  *If stored, batteries should be fully recharged every six months and kept between 0°C-25°C to maintain optimal battery capacity.

## SPECIFICATIONS

**HEAT SINK:** Custom diecast aluminum heat sink design for maximum thermal dissipation.

**FRAME-IN KIT:** 20-gauge die-formed, galvanized steel. Vertically adjustable collar accommodates ceiling thicknesses up to 1.25", adjustable post-installation. telescopic hanger bars come as standard. can be installed in either direction (wing bracket can be ordered as option) for installation with wood and steel frame joists and T-grid ceiling systems spaced up to 24" on center. Quick-access junction box accessible post-installation from above and below ceiling. Includes (7) 1/2" knock-outs to allow straight conduit runs.

**TRIM:** IP-rated trim/Light engine incorporates the heat sink, LED module, optics and lower trim. Configurable with an IP64-rated Flush lens trim that is secured to the Frame-In kit with hidden torsion springs or an IP65 Flush lens trim secured with three (Round) or four (Square) tamper resistant (Torx®) captive fasteners. Closed-cell gasketing at ceiling flange. See trim ordering Information for available options.

**OPTICAL:** Round or Square aperture. Diffuse Acrylic upper lens. 1/8" clear impact-resistant acrylic or polycarbonate flush lens at ceiling trim. Continuous seal between lens and trim ring. Available with various reflector finishes. See Ordering Information for available options.

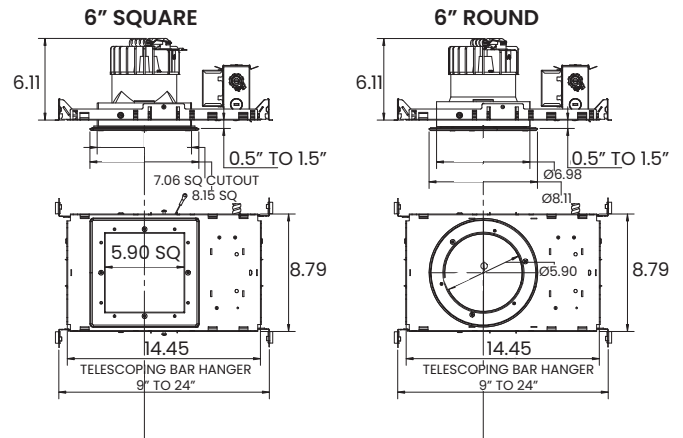
**ELECTRICAL:** LED source available in multiple CCT and CRI combinations with a maximum 3-step MacAdam variation allowance. See Trim Ordering Information for available options. 120-277VAC or 347VAC, 50/60Hz electrical input with serviceable constant current driver (<20% THD, >0.90 PF). Minimum 85% driver efficiency. Standard 0-10V dimming with 1-100% range and dim-to-dark capabilities; 0.2mA maximum source current. Optional eldoLED ECOdrive DALI-2/LEDcode2 driver with 1-100% range.

**INSTALLATION:** Recessed drywall and grid installation. Frame adjustable to ceiling thickness 0.5" to 1.25".

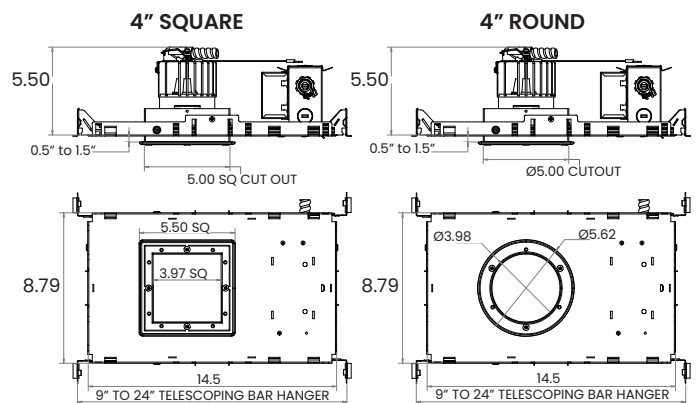
**LABEL:** Fixture is certified to UL standards by Intertek Testing Laboratory for non-IC and wet location installations. IP65 Rating per IEC60598. Certified for NSF2 Splash Zone/ Food Zones and Non-Food Zones. Meets FED-STD-209E/Class 1 (ISO 3) Cleanrooms. This product is Made in America and complies with Buy American Act (BAA) and the Build America, Buy America Act (BABAA).

## DIMENSIONAL DATA

### 6" DOWNLIGHT



### 4" DOWNLIGHT



## PERFORMANCE DATA

6IN Downlight Wide beam, 1500lm Engine, 115lm/W at 18.75W

SERIES	SHAPE	LUMENS OUTPUT	CCT	DELIVERED LUMENS	EFFICACY	SYSTEM WATTS
SCDL6	R	LW= LOW	40K	1405	101.8	13.8
		SD= STANDARD	40K	2081	102.5	20.3
		MD= MEDIUM	40K	2736	101.0	27.1
		HG= HIGH	40K	4181	95.5	43.8

SERIES	SHAPE	LUMENS OUTPUT	CCT	DELIVERED LUMENS	EFFICACY	SYSTEM WATTS
SCDL6	S	LW= LOW	40K	1392	100.7	13.8
		SD= STANDARD	40K	2070	101.7	20.3
		MD= MEDIUM	40K	2760	101.6	27.1
		HG= HIGH	40K	3990	95.9	41.5

SERIES	SHAPE	LUMENS OUTPUT	CCT	DELIVERED LUMENS	EFFICACY	SYSTEM WATTS
SCDL4	R	LW= LOW	40K	1260	84	14
		SD= STANDARD	40K	1450	83	18
		MD= MEDIUM	40K	1650	81	21
		HG= HIGH	40K	2172	77	28

SERIES	SHAPE	LUMENS OUTPUT	CCT	DELIVERED LUMENS	EFFICACY	SYSTEM WATTS
SCDL4	S	LW= LOW	40K	1257	84	14
		SD= STANDARD	40K	1525	84	18
		MD= MEDIUM	40K	1750	83	21
		HG= HIGH	40K	2236	79	28



**New Star Lighting**

2225 W Pershing Rd, Chicago, IL 60609  
 (773) 847-1400  
[www.newstarlighting.com](http://www.newstarlighting.com)

Specifications and dimensions are subject to change without notice. For additional options and dimensional details, please consult your New Star Lighting representative.

© 2026, New Star Lighting. All rights reserved. Unauthorized duplication or distribution is prohibited.